

Excellent Integrated System Limited

Stocking Distributor

Click to view price, real time Inventory, Delivery & Lifecycle Information:

[Molex Connector Corporation](#)
[0734040140](#)

For any questions, you can email us directly:
sales@integrated-circuit.com

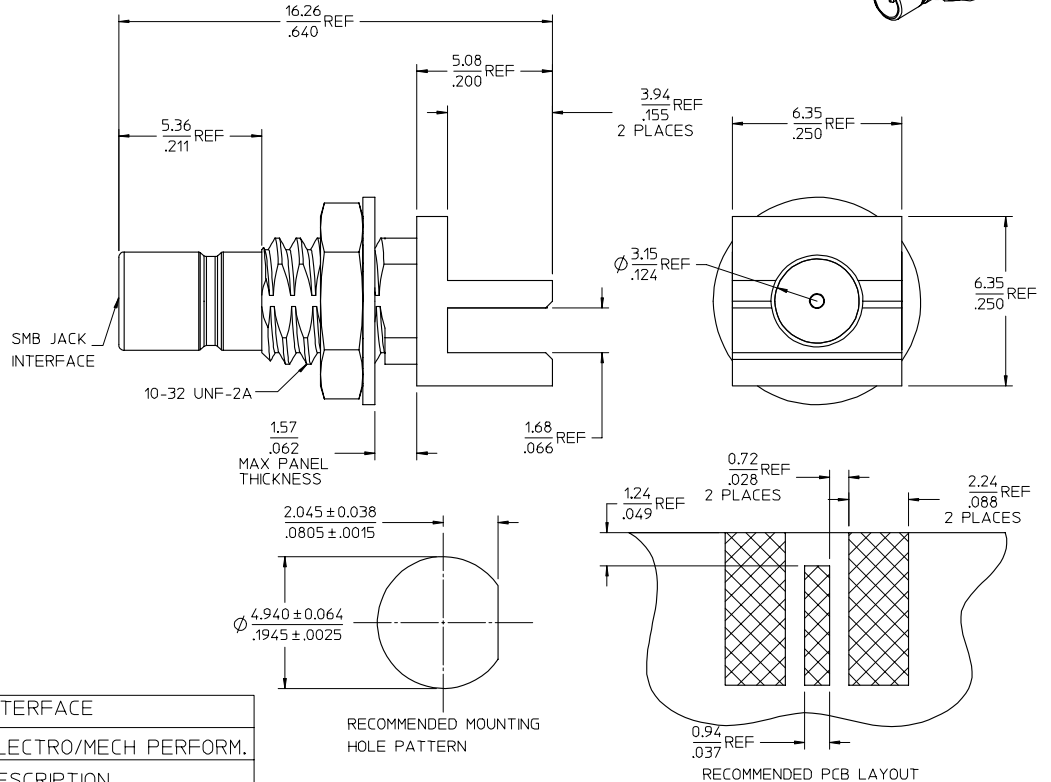
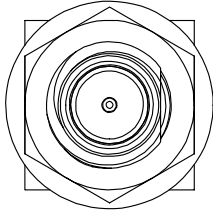
MATERIALS AND FINISHES:

BODY & JAM NUT BRASS
PLATED GOLD

CONTACT BRASS
PLATED GOLD

INSULATOR TEFLON

LOCKWASHER PHOSPHER BRONZE
PLATED GOLD



PART # 73404-0140

ES-89675-3040	INTERFACE
PS-89675-2000	ELECTRO/MECH PERFORM.
SPECIFICATION	DESCRIPTION

CHG: REDREW TO SHOWN REVISED COMPONENTS EIC NO: URF2007-0150 2006/10/10 DRW: TELAHARTY 2006/10/10 CHK: KOSHAH 2006/10/10 APPR: JMWENER 2006/10/10 A3	QUALITY SYMBOLS ▽=0 ∇=0	GENERAL TOLERANCES (UNLESS SPECIFIED)		DIMENSION STYLE MM/IN	SCALE METRIC	DESIGN UNITS METRIC	THIRD ANGLE PROJECTION		
		4 PLACES ± .--- ± .--- 3 PLACES ± .--- ± .--- 2 PLACES ± .--- ± .--- 1 PLACE ± .--- ± .---	DRAWN BY GMH 1999/06/09	CHECKED BY DHG 1999/01/18	APPROVED BY GMH 1999/01/18	TITLE SMB JACK, AIR DIELECTRIC 75 OHMS, PCB SMB-J/PCB			
		ANGULAR ± 2 °		MATERIAL NO. 734040140		DOCUMENT NO. SD-73404-014		SHEET NO. 1 OF 1	
		DRAFT WHERE APPLICABLE MUST REMAIN WITHIN DIMENSIONS							