

Excellent Integrated System Limited

Stocking Distributor

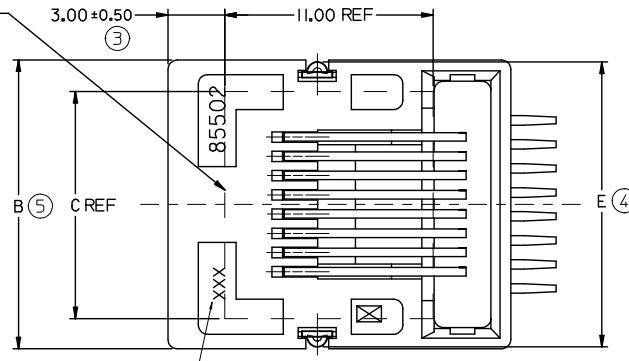
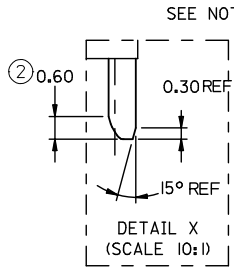
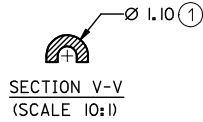
Click to view price, real time Inventory, Delivery & Lifecycle Information:

[Molex Connector Corporation](#)
[0855025010](#)

For any questions, you can email us directly:

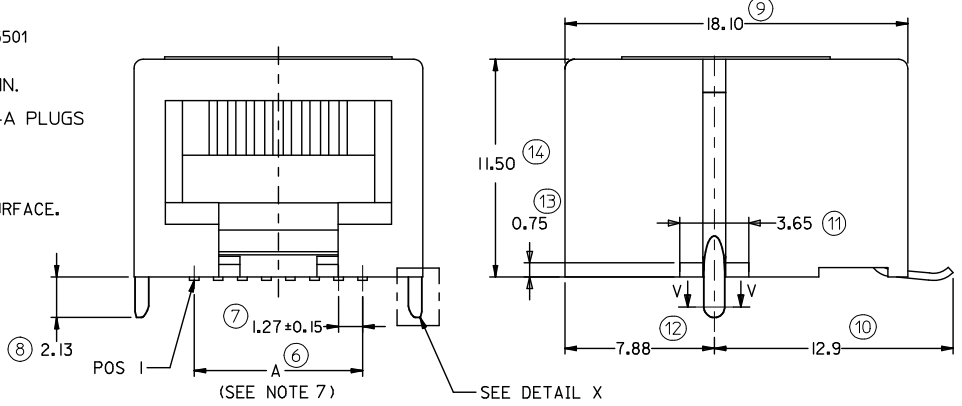
sales@integrated-circuit.com

10 9 8 7 6 5 4 3 2 1



NOTES:

- 1- MATERIAL:**
 HOUSING: LCP GLASS FILLED UL 94V0, COLOUR: BLACK
 TERMINAL: COPPER ALLOY PLATED WITH:
 BASE FINISH: NICKEL
 CONTACT SURFACE FINISH:
 GOLD
 OR
 GOLD FLASH OVER PALLADIUM NICKEL.
 EXCEEDS PRODUCT REQUIREMENTS BASED ON PS-95501
- SOLDER PEGS: COPPER ALLOY PLATED WITH TIN.
- 2- JACK FOR MATING WITH IEC 60603-7 & TIA-1096-A PLUGS (MOLEX 90075 SERIES).
- 3- PRODUCT SPECIFICATION: MOLEX PS-95501
- 4- POLYIMIDE ADHESIVE TAPE FOR PICK & PLACE SURFACE. THICKNESS: 125 μm
- 5- PACKAGING SPECIFICATION: MOLEX PK-85502. (BLISTER PACKAGING).
- 6- COPLANARITY OF SIGNAL LEADS: 0.10
- 7- SEE DIMENSIONS IN CHART ON SHEET 2.
- 8- P.C. BOARD THICKNESS: 1.57
- 9- MANUFACTURING I.D. CAN BE EITHER MG, MXF OR MXI.
- 10- APPLICATION SPEC: AS-85513-001
- LAST INSPECTION NUMBER: 14

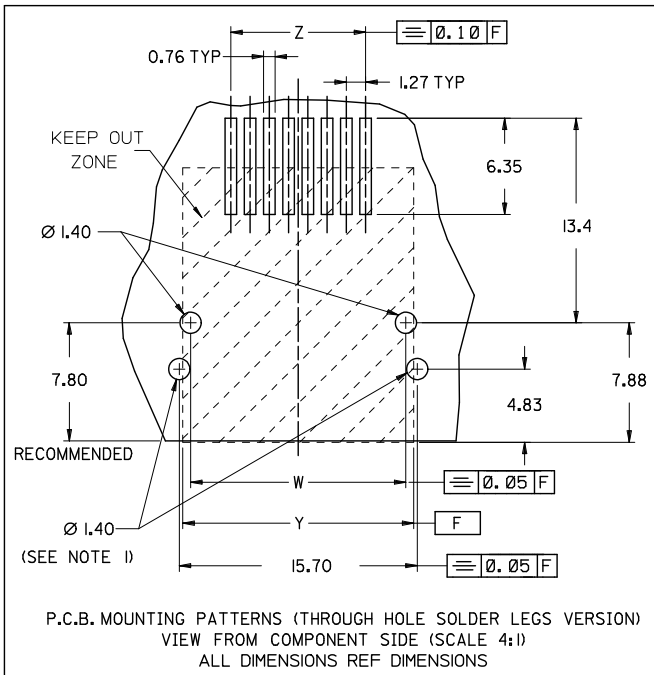


| | | | | | | | | |
|---|-----------------|--|----------------------|---|------------|--|--------------|------------------------|
| CHANGED PROD SPEC IEC NO: IFG2013-0771 DRAWN BY: BYRNES CHKD: STGRIFIN APPR: STGRIFIN 2012/11/23 2012/12/13 | QUALITY SYMBOLS | GENERAL TOLERANCES (UNLESS SPECIFIED) | | DIMENSION STYLE | | SCALE | DESIGN UNITS | THIRD ANGLE PROJECTION |
| | ▽=0 | mm | INCH | MM ONLY | | 5:1 | METRIC | ☉ |
| | ▽=0 | 4 PLACES ± --- ± --- | 3 PLACES ± --- ± --- | DRAWN BY | DATE | TITLE | | |
| | | 2 PLACES ± 0.25 ± --- | 1 PLACE ± 0.35 ± --- | DB | 2006/06/12 | R/A LOW PROFILE P.C.JACK SMT; 4,6 & 8 CKTS WITH THROUGH HOLE SOLDER PEGS | | |
| | ANGULAR ± 2 ° | DRAFT WHERE APPLICABLE MUST REMAIN WITHIN DIMENSIONS | | CHECKED BY | DATE | MOLEX INCORPORATED | | |
| | | | | APPROVED BY | DATE | DOCUMENT NO. | | |
| | | | | EOMAHONY | 2006/06/15 | SD-85502-103 | | |
| | | | | EOMAHONY | 2006/06/15 | SHEET NO. | | |
| | | | | SEE CHART SHT 2 | | 1 OF 2 | | |
| | | | | THIS DRAWING CONTAINS INFORMATION THAT IS PROPRIETARY TO MOLEX INCORPORATED AND SHOULD NOT BE USED WITHOUT WRITTEN PERMISSION | | | | |

9 8 7 6 5 4 3 2 1

NOTES

- 1 : TWO OPTIONAL HOLES FOR THE 8 POSITION-VERSION FOR THE COMPATIBILITY WITH THE INTERNAL SHIELDED VERSION.
- 2 : PLATING SEE SHEET ONE



| STANDARD VERSION | HOUSING COLOR | POS 4 | | POS 6 | | POS 6 | | POS 8 | |
|------------------|---------------|------------|--------|------------|--------|------------|--------|------------|--------|
| | | 4 CKTS | TOOLED | 4 CKTS | TOOLED | 6 CKTS | TOOLED | 8 CKTS | TOOLED |
| | BLACK | 85502-5009 | X | 85502-5010 | X | 85502-5011 | X | 85502-5012 | X |

| TYPE | POS 4 | POS 6 | | POS 8 |
|---------|--------|--------|--------|--------|
| | 4 CKTS | 4 CKTS | 6 CKTS | 8 CKTS |
| A ±0.15 | 3.81 | 3.81 | 6.35 | 8.89 |
| B | 11.18 | 13.21 | 13.21 | 15.24 |
| C (REF) | 8.50 | 8.50 | 8.50 | 12.00 |
| E | 11.08 | 13.11 | 13.11 | 15.14 |
| W ±0.05 | 10.13 | 12.16 | 12.16 | 14.19 |
| Y (REF) | 11.18 | 13.21 | 13.21 | 15.24 |
| Z ±0.05 | 3.81 | 3.81 | 6.35 | 8.89 |

| | | | | | | | | |
|---|---|--|---|--|---|---------------------------|------------------------------|---------------------|
| SEE SHEET 1 EC NO: IFG2012-0691 DRAWN BY: RYANES 2012/04/02 CHKD BY: MAHER 2012/04/17 APPR: EFOLAN 2012/06/26 | QUALITY SYMBOLS ▽=0 ▽=0 | GENERAL TOLERANCES (UNLESS SPECIFIED) 4 PLACES ± --- ± --- 3 PLACES ± --- ± --- 2 PLACES ± 0.25 ± --- 1 PLACE ± 0.35 ± --- ANGULAR ± 2° | DIMENSION STYLE MM ONLY DRAWN BY: DB DATE: 2006/06/12 CHECKED BY: EOMAHONY DATE: 2006/06/15 APPROVED BY: EOMAHONY DATE: 2006/06/15 | SCALE: 5:1 DESIGN UNITS: METRIC THIRD ANGLE PROJECTION | TITLE: RIGHT ANGLE LOW PROFILE SMT PC JACK WITH THROUGH HOLE SOLDER PEGS MOLEX INCORPORATED | MATERIAL NO. SEE CHART | DOCUMENT NO. SD-85502-103 | SHEET NO. 2 OF 2 |
| | DRAFT WHERE APPLICABLE MUST REMAIN WITHIN DIMENSIONS | | | | | | | |
| | THIS DRAWING CONTAINS INFORMATION THAT IS PROPRIETARY TO MOLEX INCORPORATED AND SHOULD NOT BE USED WITHOUT WRITTEN PERMISSION | | | | | | | |
| | SIZE: A3 | | | | | | | |