

Excellent Integrated System Limited

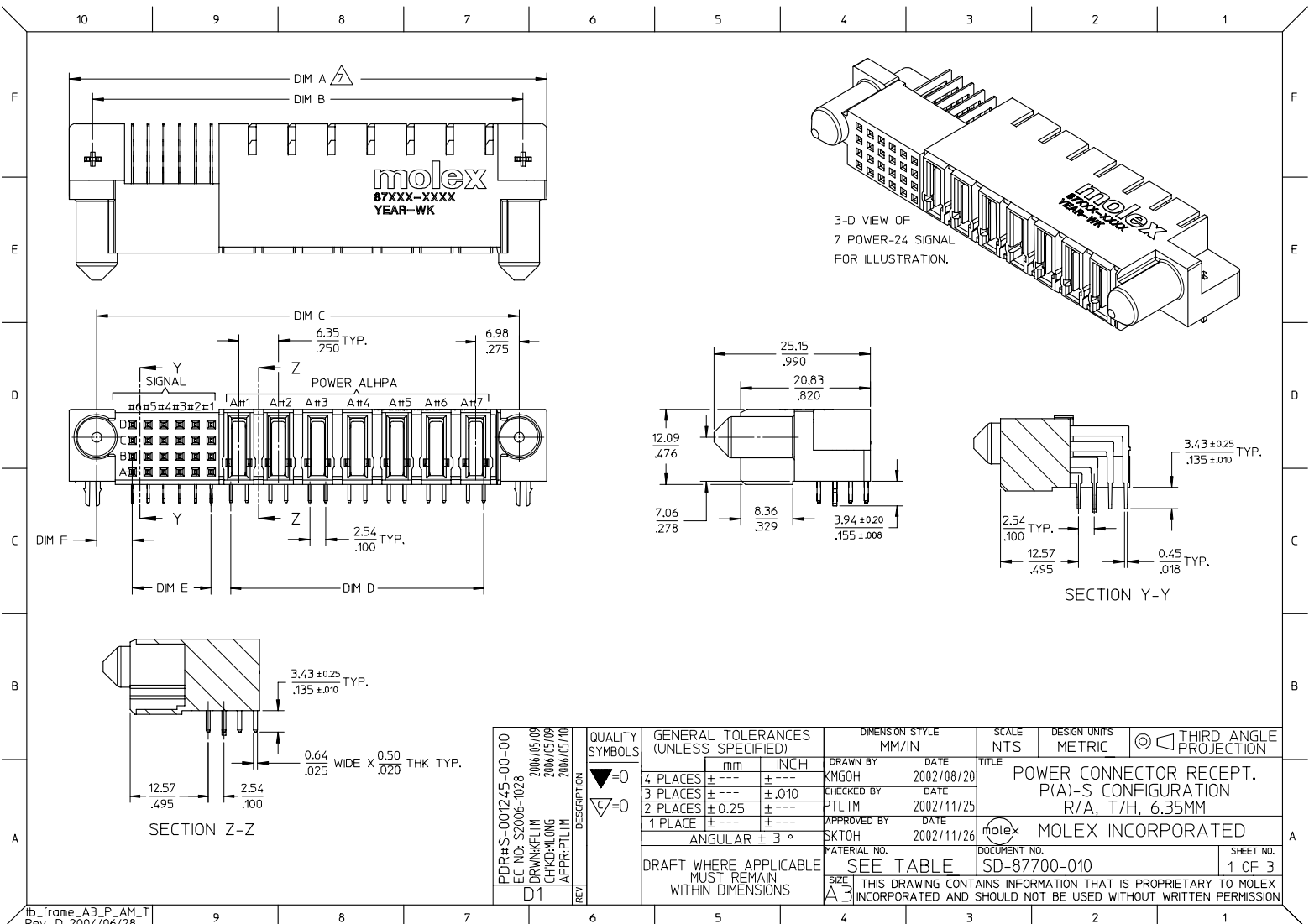
Stocking Distributor

Click to view price, real time Inventory, Delivery & Lifecycle Information:

[Molex Connector Corporation](#)
[0877003002](#)

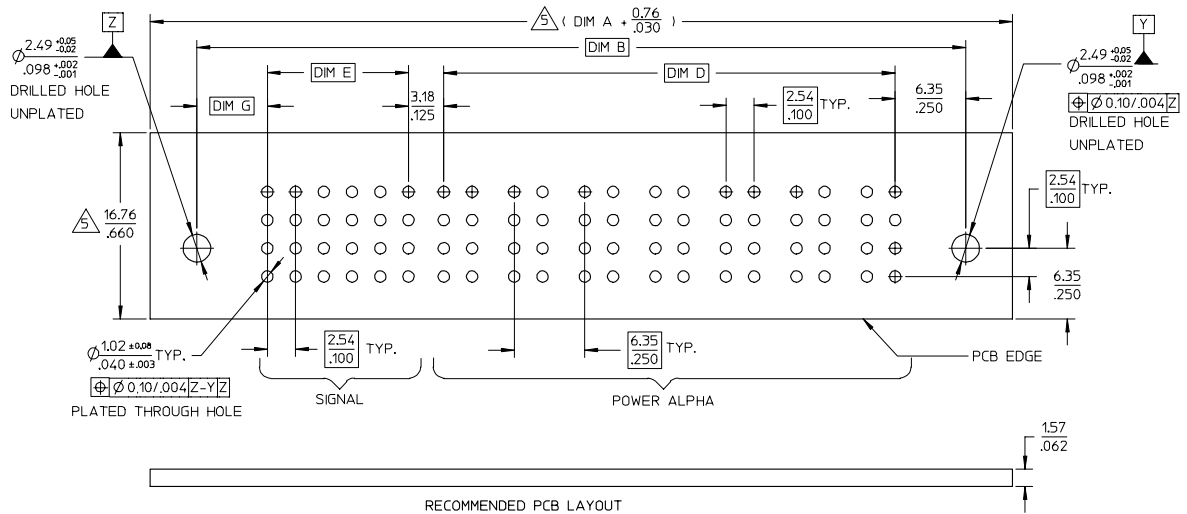
For any questions, you can email us directly:

sales@integrated-circuit.com



PDR#S-001245-00-00 EC NO: S2006-1028 DRINKELIM 2006/05/08 CHKORLONG 2006/05/09 APPROPLIM 2006/05/10 D1	QUALITY SYMBOLS ▽=0 ▽=0 DESCRIPTION	GENERAL TOLERANCES (UNLESS SPECIFIED)		DIMENSION STYLE MM/IN		SCALE NTS	DESIGN UNITS METRIC	THIRD ANGLE PROJECTION	
		4 PLACES ± --- ± ---	3 PLACES ± --- ± .010	DRAWN BY KMG0H	DATE 2002/08/20	TITLE POWER CONNECTOR RECEPT. P(A)-S CONFIGURATION R/A, T/H, 6.35MM			
		2 PLACES ± 0.25 ± ---	1 PLACE ± --- ± ---	CHECKED BY PTL IM	DATE 2002/11/25	MOLEX INCORPORATED			
		ANGULAR ± 3 °		APPROVED BY SKTOH	DATE 2002/11/26	MATERIAL NO. SEE TABLE	DOCUMENT NO. SD-87700-010	SHEET NO. 1 OF 3	
DRAFT WHERE APPLICABLE MUST REMAIN WITHIN DIMENSIONS		THIS DRAWING CONTAINS INFORMATION THAT IS PROPRIETARY TO MOLEX INCORPORATED AND SHOULD NOT BE USED WITHOUT WRITTEN PERMISSION							

10 9 8 7 6 5 4 3 2 1



NOTES:

- 1 MATERIALS : HOUSING - LCP, GLASS FILLED,
UL 94V-0, COLOR: BLACK
POWER PINS - COPPER ALLOY
SIGNAL PINS - COPPER ALLOY
BOARD LOCK - COPPER ALLOY
- 2 FINISHES: POWER AD SIGNAL PINS
SELECTIVE GOLD IN THE CONTACT AREA
THICKNESS = 0.76 MICROMETER / 30 MICROINCH MINIMUM
SELECTIVE TIN IN THE PC TAIL AREA
THICKNESS = 2.54 MICROMETER / 100 MICROINCH MINIMUM
NICKEL OVERALL
- 3 PRODUCT SPECIFICATIONS : PS-87631-006
- 4 SEE SHEET 2 FOR RECOMMENDED PCB LAYOUT AND THICKNESS
- 5 COMPONENT STAY AWAY ZONE FROM CONNECTOR
- 6 REFER TO THE TABLE ON TOP OF PAGE 3/3 FOR RECESSED PINS LOCATION
- 7 POWER - 24 SIGNAL CONNECTOR IS SHOWN FOR ILLUSTRATION

PDR#S-001245-00-00 EC NO: S2006-1028 DRINKELIM 2006/05/08 CHKORLONG 2006/05/09 APPR:PTLIM 2006/05/10 D1	QUALITY SYMBOLS	GENERAL TOLERANCES (UNLESS SPECIFIED)		DIMENSION STYLE		SCALE	DESIGN UNITS	THIRD ANGLE PROJECTION
	▽=0 ▽=0	4 PLACES	±	---	MM/IN	NTS	METRIC	DRAWN BY: KMG0H DATE: 2002/08/20 CHECKED BY: PTL IM DATE: 2002/11/25 APPROVED BY: SKTOH DATE: 2002/11/26 MATERIAL NO. SEE TABLE DOCUMENT NO. SD-87700-010 SIZE: A3 THIS DRAWING CONTAINS INFORMATION THAT IS PROPRIETARY TO MOLEX INCORPORATED AND SHOULD NOT BE USED WITHOUT WRITTEN PERMISSION
		3 PLACES	±	0.10	MM/IN	NTS	METRIC	
	2 PLACES	±	0.25	---	---	---	---	TITLE: POWER CONNECTOR RECEPT. P(A)-S CONFIGURATION R/A, T/H, 6.35MM MOLEX INCORPORATED SHEET NO. 2 OF 3
1 PLACE	±	---	---	---	---	---		
		ANGULAR ± 3 °		DRAFT WHERE APPLICABLE MUST REMAIN WITHIN DIMENSIONS				

9 8 7 6 5 4 3 2 1

PART NUMBER	P-S CONFIGURATION		DIM A		DIM B		DIM C		DIM D		DIM E		DIM F		DIM G		RECESS POWER PINS LOCATIONS	VOID PIN LOCATION	PACKAGING
	SIGNAL	POWER ALPHA																	
87700-3002	24	7	76.83 3.025	69.22 2.725	67.94 2.675	40.64 1.600	12.70 .500	5.72 .225	6.35 .250	NIL		NIL		NIL		NIL		TRAY	
87700-3003	16	4	52.07 2.075	45.09 1.775	43.81 1.725	21.59 .850	7.62 .300	5.72 .225	6.35 .250	NIL		NIL		NIL		NIL		TRAY	
87700-3005	16	4	52.07 2.050	44.45 1.750	43.18 1.700	21.59 .850	7.62 .300	5.08 .200	5.72 .225	NIL		NIL		NIL		NIL		TRAY	
87700-3006	20	4	54.61 2.150	46.99 1.850	45.72 1.800	21.59 .850	10.16 0.400	5.08 .200	5.72 .225	NIL		A2,B2,C2,D2		NIL		NIL		TRAY	

PDR#S-001245-00-00 EC NO: S2006-1028 DRAWN BY: BRANKELIM CHECKED BY: CHKHORLONG APPROVED BY: APPR:PTLIM 2006/05/08 2006/05/09 2006/05/10 D1	QUALITY SYMBOLS	GENERAL TOLERANCES (UNLESS SPECIFIED)	DIMENSION STYLE	SCALE	DESIGN UNITS	THIRD ANGLE PROJECTION															
	$\nabla=0$ $\nabla=0$	<table border="1"> <tr> <th></th> <th>mm</th> <th>INCH</th> </tr> <tr> <td>4 PLACES</td> <td>± .10</td> <td>± .004</td> </tr> <tr> <td>3 PLACES</td> <td>± .15</td> <td>± .006</td> </tr> <tr> <td>2 PLACES</td> <td>± 0.25</td> <td>± .010</td> </tr> <tr> <td>1 PLACE</td> <td>± .50</td> <td>± .020</td> </tr> </table>		mm	INCH	4 PLACES	± .10	± .004	3 PLACES	± .15	± .006	2 PLACES	± 0.25	± .010	1 PLACE	± .50	± .020	MM/IN	NTS	METRIC	
		mm	INCH																		
	4 PLACES	± .10	± .004																		
3 PLACES	± .15	± .006																			
2 PLACES	± 0.25	± .010																			
1 PLACE	± .50	± .020																			
$\nabla=0$	ANGULAR ± 3° DRAFT WHERE APPLICABLE MUST REMAIN WITHIN DIMENSIONS	DRAWN BY: KMG0H CHECKED BY: PTLIM APPROVED BY: SKTOH DATE: 2002/08/20 DATE: 2002/11/25 DATE: 2002/11/26	TITLE: POWER CONNECTOR RECEPT. P(A)-S CONFIGURATION R/A, T/H, 6.35MM MOLEX INCORPORATED	MATERIAL NO. SEE TABLE DOCUMENT NO. SD-87700-010	SHEET NO. 3 OF 3																
SIZE A3 THIS DRAWING CONTAINS INFORMATION THAT IS PROPRIETARY TO MOLEX INCORPORATED AND SHOULD NOT BE USED WITHOUT WRITTEN PERMISSION																					