

## Excellent Integrated System Limited

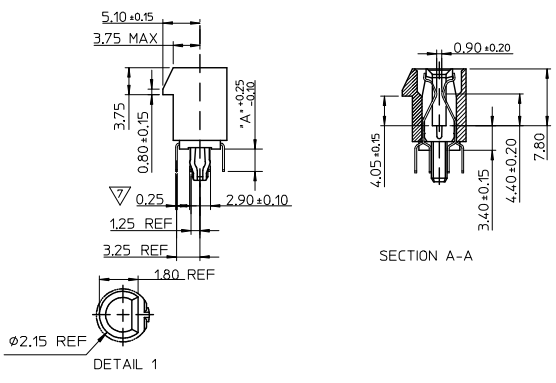
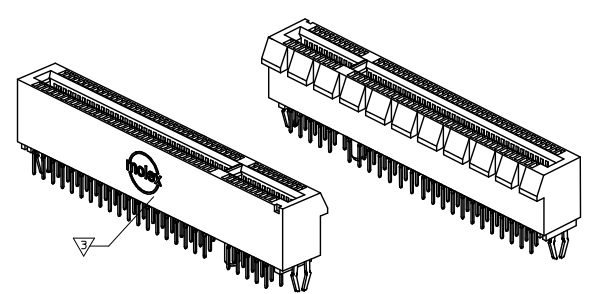
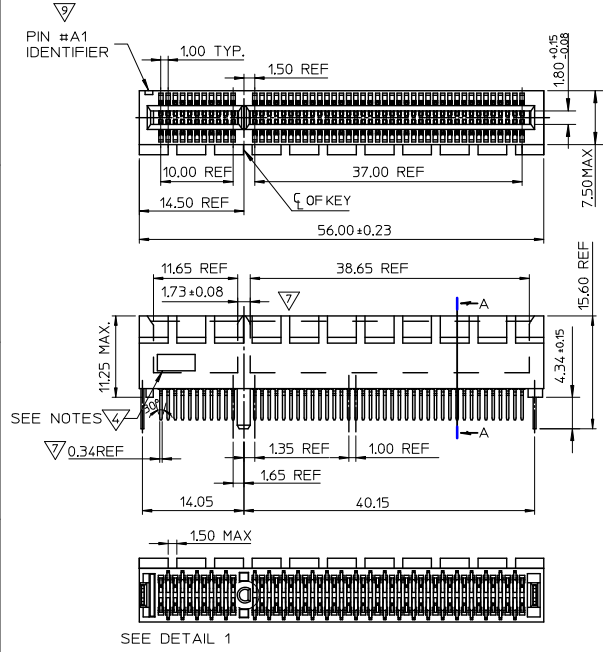
Stocking Distributor

Click to view price, real time Inventory, Delivery & Lifecycle Information:

[Molex Connector Corporation](#)  
[0877159910](#)

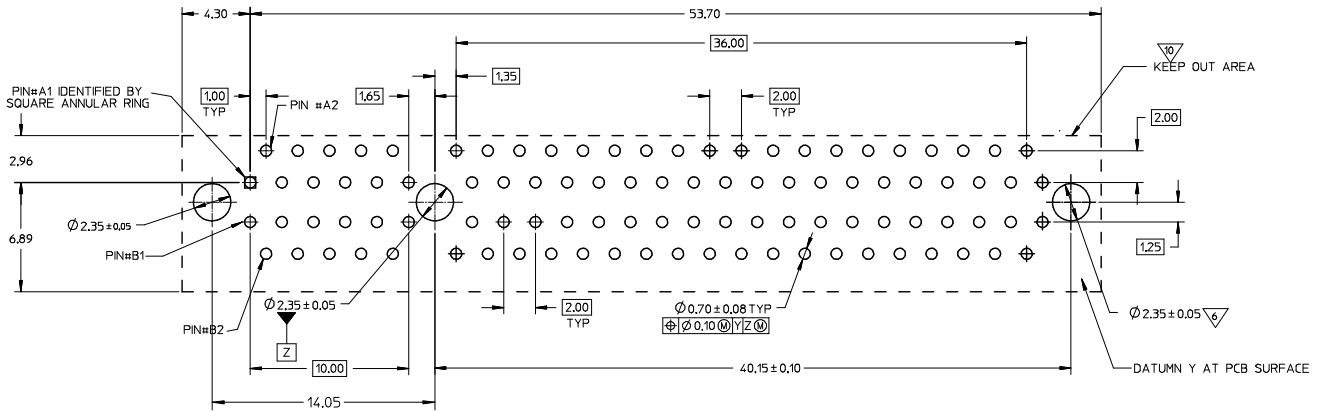
For any questions, you can email us directly:  
[sales@integrated-circuit.com](mailto:sales@integrated-circuit.com)

PART NUMBER	DIM A	CONTACT AREA PLATING OPTION	SOLDER TAIL PLATING	PORT SIZE	TOTAL CKTS SIZE
87715-9910	2.54	30 MICROINCH GOLD PLATED	100 MICROINCH MIN TIN OVER NICKEL PLATED OVERALL	8	98
87715-9911	3.00	30 MICROINCH GOLD PLATED	100 MICROINCH MIN TIN OVER NICKEL PLATED OVERALL	8	98



<b>NEW RELEASED</b> EC NO: SH2006-0549 DRAWN BY: DRINKALLIN CHKD: CHIKD APPR: WMSCHANG 2006/05/15 2006/05/15 2006/05/17	DESCRIPTION REV	QUALITY SYMBOLS ▽=0 ▽=0	GENERAL TOLERANCES (UNLESS SPECIFIED) <table border="1"> <thead> <tr> <th></th> <th>mm</th> <th>INCH</th> </tr> </thead> <tbody> <tr> <td>4 PLACES</td> <td>± ---</td> <td>± ---</td> </tr> <tr> <td>3 PLACES</td> <td>± ---</td> <td>± ---</td> </tr> <tr> <td>2 PLACES</td> <td>± 0.25</td> <td>± ---</td> </tr> <tr> <td>1 PLACE</td> <td>± 0.25</td> <td>± ---</td> </tr> <tr> <td colspan="3">ANGULAR ± 3°</td> </tr> </tbody> </table>		mm	INCH	4 PLACES	± ---	± ---	3 PLACES	± ---	± ---	2 PLACES	± 0.25	± ---	1 PLACE	± 0.25	± ---	ANGULAR ± 3°			DIMENSION STYLE <b>MM ONLY</b>	SCALE DESIGN UNITS <b>METRIC</b>	THIRD ANGLE PROJECTION
			mm	INCH																				
		4 PLACES	± ---	± ---																				
		3 PLACES	± ---	± ---																				
2 PLACES	± 0.25	± ---																						
1 PLACE	± 0.25	± ---																						
ANGULAR ± 3°																								
DRAWN BY: KEN LEE CHECKED BY: ALLEN LIN APPROVED BY: WILSON CHANG DATE: 2006/03/22 DATE: 2006/03/22 DATE: 2006/03/22	TITLE <b>PCI EXPRESS X8 (98 CKTS)          VERT DIP WITH BOARD LOCK          (LEAD FREE VERSION)</b>	MATERIAL NO. <b>SEE TABLE</b>	DOCUMENT NO. <b>SD-87715-210</b>	SHEET NO. <b>1 OF 3</b>																				
DRAFT WHERE APPLICABLE MUST REMAIN WITHIN DIMENSIONS			THIS DRAWING CONTAINS INFORMATION THAT IS PROPRIETARY TO MOLEX INCORPORATED AND SHOULD NOT BE USED WITHOUT WRITTEN PERMISSION																					
MOLEX INCORPORATED																								

10 9 8 7 6 5 4 3 2 1



NOTES:

- MATERIALS: HOUSING - HIGH TEMPERATURE THERMOPLASTIC, GLASS FIBER FILLED, UL 94-V0 (BLACK)  
TERMINAL - COPPER ALLOY
- PLATING: CONTACT AREA - SEE TABLE IN SHEET 1  
SOLDER TAILS - SEE TABLE IN SHEET 1  
UNDERPLATING - SEE TABLE IN SHEET 1

RECOMMENDED P.C.B. PATTERN  
(CONNECTOR SIDE)

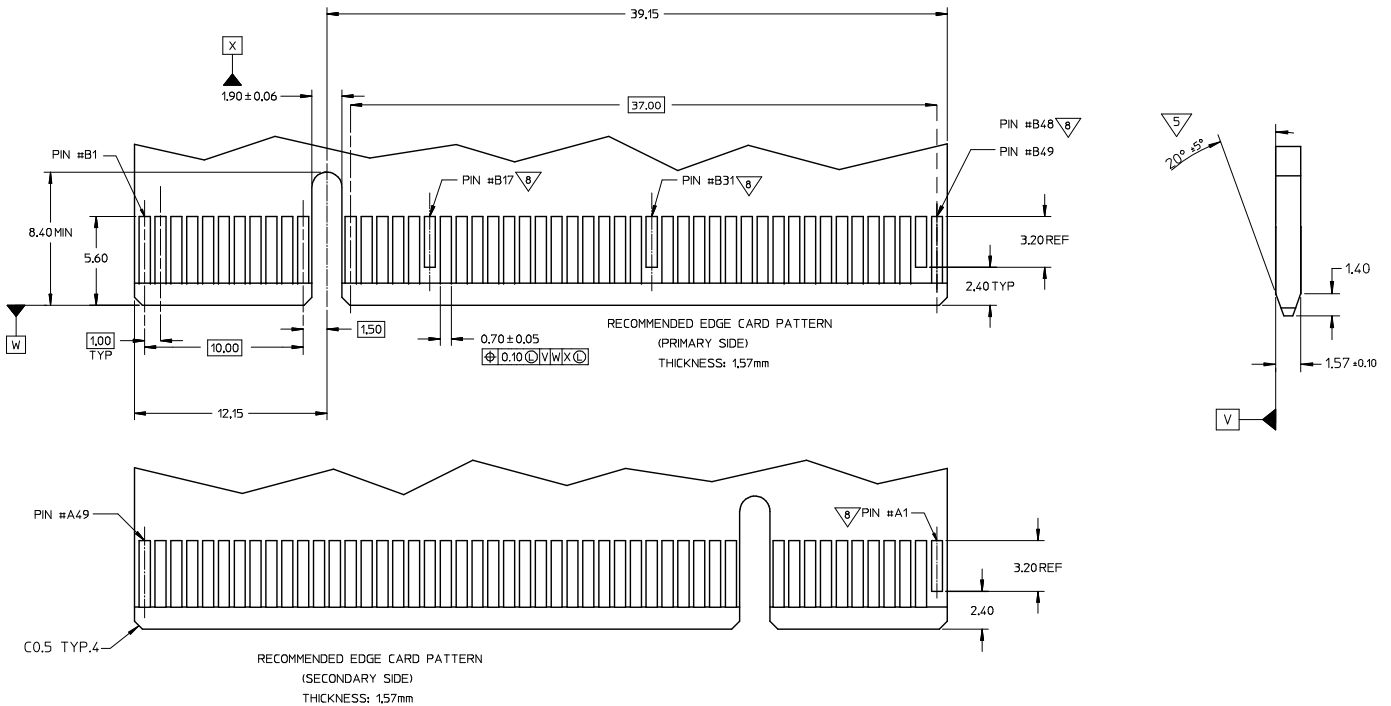
THICKNESS: 1.57mm FOR 2.54mm SOLDER TAIL LENGTH  
2.35mm FOR 3.00mm SOLDER TAIL LENGTH

- ▽ MOLEX LOGO
  - ▽ DATE CODE - TO BE PRINTED
  - ▽ CHAMFER EDGES OF EDGE CARD MUST BE FREE OF CUTTING BURRS
  - ▽ THE HORIZONTAL AXIS FOR THE FOOTPRINT HOLE PATTERN IS ESTABLISHED BY A LINE THROUGH THE CENTRE OF THE TWO Ø2.35 HOLES. THE VERTICAL AXIS IS 90° TO THE HORIZONTAL AXIS, THROUGH THE CENTRE OF DATUM Z
  - ▽ FEATURES DESIGNED TO FUNCTIONALLY MATE/MOUNT(SLIP FIT) PER THE RECOMMENDED EDGE CARD AND PCB PATTERN.
  - ▽ PINS FOR HOT PLUG PRESENCE DETECTION. NO TIE BAR PERMITTED FROM CARD EDGE TO LEADING EDGE OF PAD FOR THE HOT PLUG PINS.
  - ▽ PIN #1 IDENTIFIER
  - ▽ KEEP OUT AREA - NO EXTERNAL COMPONENTS ALLOWED ON PCB SURFACE
- PRODUCT SPECIFICATION REFER TO PS-87715-200.
  - PACKAGE SPECIFICATION REFER TO PK-87715-204.
  - TEST SUMMARY: REFER TO TS-87715-210.
  - LEAD FREE AND RoHS COMPLIANT PRODUCT.

SEE SHEET 1 EC NO: SH2006-05/9 2006/05/15 DR: WMLIN 2006/03/15 CHKD: 2006/03/15 APPR: WMSCHANG 2006/03/17	QUALITY SYMBOLS	GENERAL TOLERANCES (UNLESS SPECIFIED)		DIMENSION STYLE MM ONLY		SCALE NTS	DESIGN UNITS METRIC	THIRD ANGLE PROJECTION
	▽=0	4 PLACES	± ---	± ---	DRAWN BY	DATE	TITLE	
	▽=0	3 PLACES	± ---	± ---	KEN LEE	2006/03/22	PCI EXPRESS X8 (98 CKTS) VERT DIP WITH BOARD LOCK (LEAD FREE VERSION)	
		2 PLACES	± 0.25	± ---	CHECKED BY	DATE	MATERIAL NO.	
	1 PLACE	± 0.25	± ---	ALLEN LIN	2006/03/22	DOCUMENT NO.		
		ANGULAR ± 3°		APPROVED BY	DATE	SD-87715-210		
		DRAFT WHERE APPLICABLE MUST REMAIN WITHIN DIMENSIONS		WILSON CHANG	2006/03/22	SHEET NO. 2 OF 3		
				SIZE A3		THIS DRAWING CONTAINS INFORMATION THAT IS PROPRIETARY TO MOLEX INCORPORATED AND SHOULD NOT BE USED WITHOUT WRITTEN PERMISSION		

9 8 7 6 5 4 3 2 1

10 9 8 7 6 5 4 3 2 1



SEE SHEET 1 EC NO: SH2006-05/9 DRAWN ALLIN 2006/05/15 CHKD: 2006/05/15 APPR: WMS CHANG 2006/05/17 REV	QUALITY SYMBOLS ▽ = ▽ = 0	GENERAL TOLERANCES (UNLESS SPECIFIED) 4 PLACES ± --- ± --- 3 PLACES ± --- ± --- 2 PLACES ± 0.25 ± --- 1 PLACE ± 0.25 ± --- ANGULAR ± 3°	DIMENSION STYLE MM ONLY DRAWN BY DATE KEN LEE 2006/03/22 CHECKED BY DATE ALLEN LIN 2006/03/22 APPROVED BY DATE WILSON CHANG 2006/03/22 MATERIAL NO. SEE TABLE SIZE THIS DRAWING CONTAINS INFORMATION THAT IS PROPRIETARY TO MOLEX INCORPORATED AND SHOULD NOT BE USED WITHOUT WRITTEN PERMISSION	SCALE NTS DESIGN UNITS METRIC THIRD ANGLE PROJECTION	TITLE PCI EXPRESS X8 (98 CKTS) VERT DIP WITH BOARD LOCK (LEAD FREE VERSION) MOLEX INCORPORATED DOCUMENT NO. SD-87715-210 SHEET NO. 3 OF 3
	DRAFT WHERE APPLICABLE MUST REMAIN WITHIN DIMENSIONS				

9 8 7 6 5 4 3 2 1