

Excellent Integrated System Limited

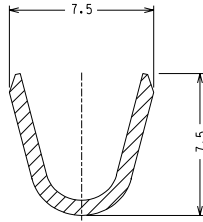
Stocking Distributor

Click to view price, real time Inventory, Delivery & Lifecycle Information:

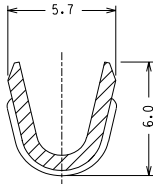
[Molex Connector Corporation](#)
[0940306990](#)

For any questions, you can email us directly:

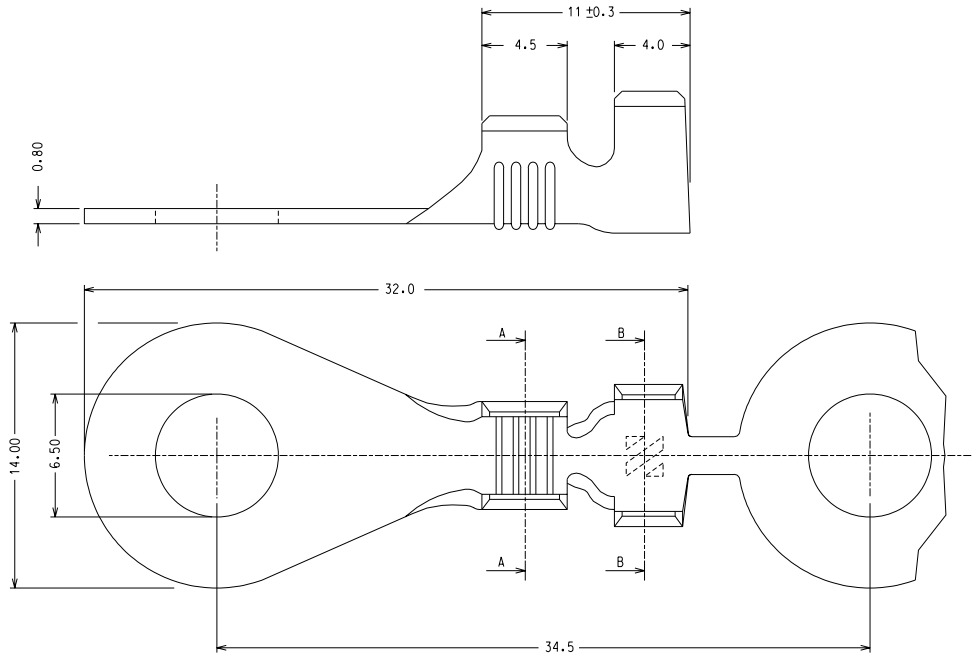
sales@integrated-circuit.com



SECTION B - B



SECTION A - A



MATERIALE: OTTONE FINITURA: STAGNATO
MATERIAL: BRASS PLATING: TIN

| | | | | | | |
|---|---|---------------------------------------|--|------------------------|-------------------------|-----------|
| EC N° Z2004-0224 GZUN 2004/04/29 LTR | DIMENSIONS SHOWN (METRIC) INCH UNLESS OTHERWISE SPECIFIED TOLERANCES ANGULAR ± 0.1° INCH (METRIC) 3 PLACE ± 2 PLACE ± 0.1 1 PLACE ± 0.2 | DRWG BY Gottardo | REVISE ONLY ON CAD SYSTEM | | SH. | REV. |
| | | CAD/CAM FILENAME CAD FILE Z30699XS | THIS DRAWING CONTAINS INFORMATION THAT IS PROPRIETARY TO MOLEX INC AND SHOULD NOT BE USED WITHOUT WRITTEN PERMISSION | | | |
| | | APP'D BY Previato | TITLE CAPOCORDA AD OCCHIELLO RING TONGUE TERMINAL | | | |
| | | SCALE 5 : 1 | SEZ. RAME/ WIRE RANGE: 4.0-6.0 mm ² ISOLANTE/ INS RANGE: Ø 3.8-5.1 mm | | | |
| DESIGN DIMENSION (PRIMARY) <input type="checkbox"/> (MM) <input type="checkbox"/> IN EQUIVALENT DIMENSION (SECONDARY) <input type="checkbox"/> (MM) <input type="checkbox"/> IN. | MOLEX INCORPORATED | | SHEET NO. DATE 1 / 1 27-02-90 | PART NO. 94030-6990 | DWG NO. SD-94030-699 | SIZE B |