

Excellent Integrated System Limited

Stocking Distributor

Click to view price, real time Inventory, Delivery & Lifecycle Information:

[Molex Connector Corporation](#)

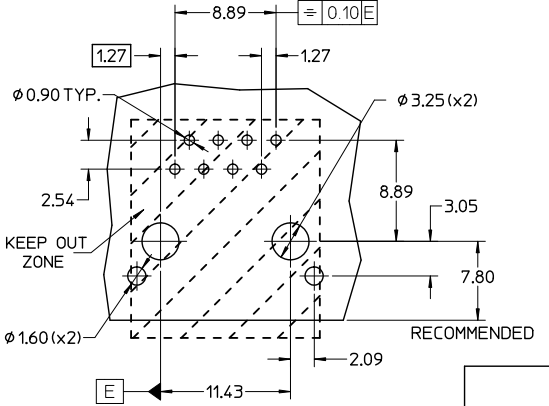
[0956223882](#)

For any questions, you can email us directly:

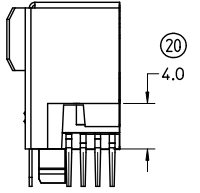
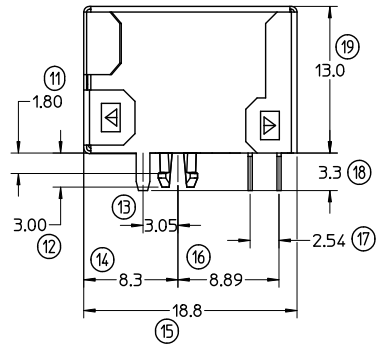
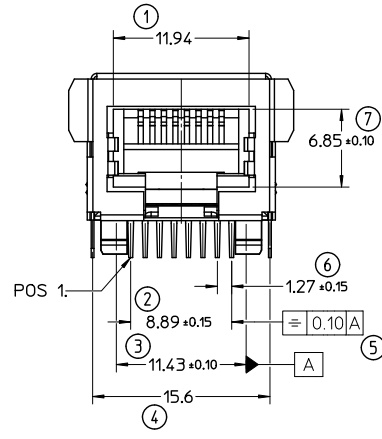
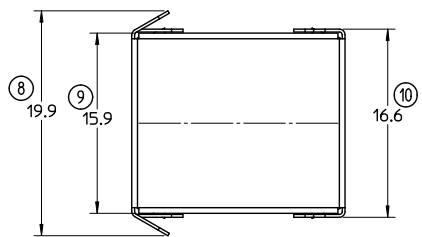
sales@integrated-circuit.com

10 9 8 7 6 5 4 3 2 1

| | |
|------------|--|
| PART No. | |
| 95622-3882 | |



RECOMMENDED P.C.B LAYOUT
VIEW FROM COMPONENT SIDE
ALL DIMENSIONS REF DIMENSIONS



PARTIAL 1
Scale 3:1

TECHNICAL SPECIFICATIONS:

- MATERIAL:**
 HOUSING: LCP GLASS FILLED UL 94V-0, COLOUR BLACK.
 TERMINAL: COPPER ALLOY PLATED WITH:
 BASE FINISH: NICKEL
 CONTACT SURFACE FINISH:
 GOLD
 OR
 GOLD FLASH OVER PALLADIUM NICKEL.
 EXCEEDS PRODUCT REQUIREMENTS BASED ON PS-95622-001
 SHIELD: COPPER ALLOY PLATED WITH TIN

NOTES:

- JACK FOR MATING WITH SHIELDED PLUG MOLEX 95043 AND 85568 SERIES.
- PRODUCT SPECIFICATION: MOLEX PS-95622-001.
- P.C.B. THICKNESS: 1.57
- PACKAGING SPECIFICATION: MOLEX PK-95122.

LAST INSPECTION No: 20

| | | | | | | | | | | | |
|--|---|-------------------------------|--|----------------------|----------------------------|----------------------|---------------|-------------------------------------|--------------------------------------|---------------------------------------|--|
| REMOVE OPTION EC NO: IPG2012-0746 DRAWN BY: BYRNES CHKD: CHYK APPR: EFCULAN REV | DESCRIPTION 2012/04/17 2012/06/26 | QUALITY SYMBOLS ▽=0 ▽=0 | GENERAL TOLERANCES (UNLESS SPECIFIED) | | DIMENSION STYLE MM ONLY | | SCALE 3:1 | DESIGN UNITS METRIC | THIRD ANGLE PROJECTION | | |
| | | | 4 PLACES ± --- ± --- | 3 PLACES ± --- ± --- | 2 PLACES ± 0.25 ± --- | 1 PLACE ± 0.35 ± --- | ANGULAR ± 2 ° | DRAWN BY D. BYRNES 2006/07/27 | CHECKED BY EOMAHONY 2006/07/28 | APPROVED BY EOMAHONY 2006/07/28 | TITLE FULLY SHIELDED R/A MODULAR JACK 8 CKTS THROUGH HOLE-VERSION LCP |
| DRAFT WHERE APPLICABLE MUST REMAIN WITHIN DIMENSIONS | | | THIS DRAWING CONTAINS INFORMATION THAT IS PROPRIETARY TO MOLEX INCORPORATED AND SHOULD NOT BE USED WITHOUT WRITTEN PERMISSION | | | | | | | | |

9 8 7 6 5 4 3 2 1