

Excellent Integrated System Limited

Stocking Distributor

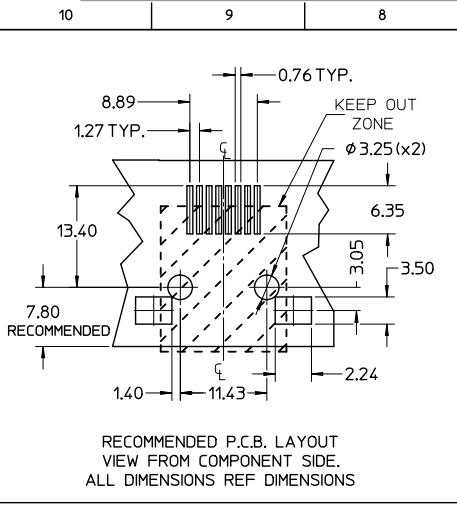
Click to view price, real time Inventory, Delivery & Lifecycle Information:

[Molex Connector Corporation](#)

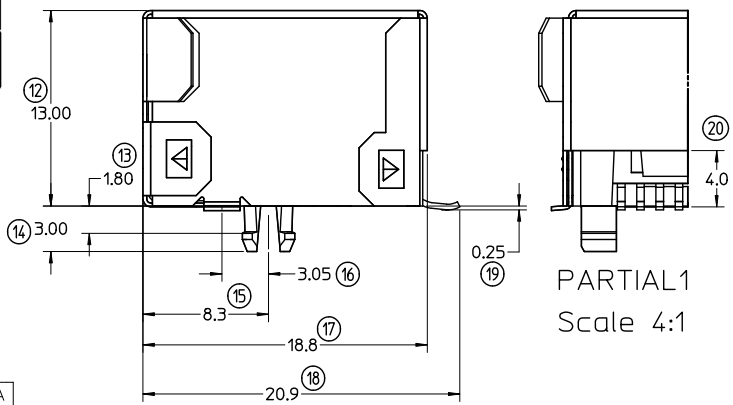
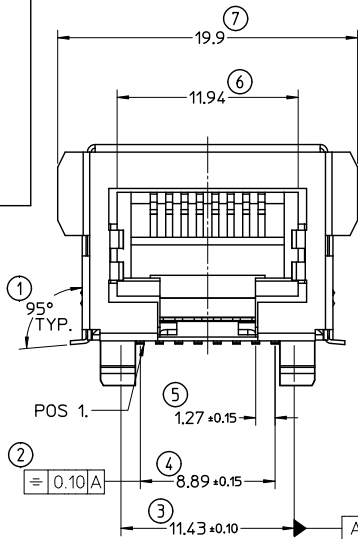
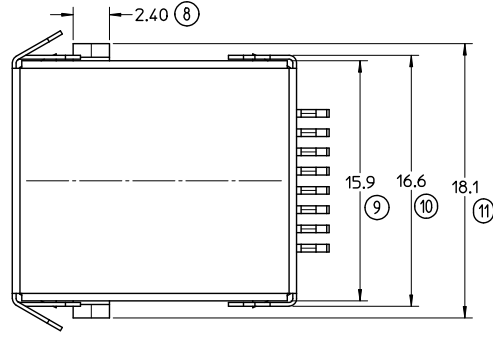
[0956224882](#)

For any questions, you can email us directly:

sales@integrated-circuit.com



PART No.	
95622-4882	



PARTIAL1
Scale 4:1

- NOTES:
- JACK FOR MATING WITH SHIELDED PLUG (MOLEX 95043 AND 85568 SERIES)
 - PRODUCT SPECIFICATION: PS-95622-001 (BLISTER ON REEL)
 - PACKAGING SPECIFICATION: PK-95122 SHEET 2 (BLISTER ON REEL)
 - P.C.B THICKNESS: 1.57
 - COPLANARITY OF SIGNAL LEADS: 0.10 MAX
- LAST INSPECTION No: 21

TECHNICAL SPECIFICATIONS:
MATERIAL:
 HOUSING: LCP GLASS FILLED UL 94V-0
 COLOUR BLACK
 TERMINAL: COPPER ALLOY PLATED WITH:
 BASE FINISH: NICKEL
 CONTACT SURFACE FINISH:
 GOLD
 OR
 GOLD FLASH OVER PALLADIUM NICKEL.
 EXCEEDS PRODUCT REQUIREMENTS BASED ON PS-95622-001
 SHIELD: COPPER ALLOY PLATED WITH TIN.

REMOVE OPTION EC NO: IFG2012-0746 DRAWN BY: DBYRNES CHKD: CHYK APPR: EFCULAN REV DESCRIPTION	QUALITY SYMBOLS	GENERAL TOLERANCES (UNLESS SPECIFIED)	DIMENSION STYLE	SCALE	DESIGN UNITS	THIRD ANGLE PROJECTION
	▼=0 ▽=0	mm INCH 4 PLACES ± --- ± --- 3 PLACES ± --- ± --- 2 PLACES ± 0.25 ± --- 1 PLACE ± 0.35 ± --- ANGULAR ± 2 °	MM ONLY DRAWN BY: DBYRNES DATE: 2006/07/27 CHECKED BY: DATE: APPROVED BY: EOMAHONY DATE: 2006/07/28 MATERIAL NO.: SEE CHART SIZE: A3	4:1 DATE: 2006/07/28 DATE: 2006/07/28 DATE: 2006/07/28 DATE: 2006/07/28 DATE: 2006/07/28 DATE: 2006/07/28	METRIC	FULLY SHIELDED SMT R/A MODULAR JACKS 8 CKT MOLEX INCORPORATED