

## Excellent Integrated System Limited

Stocking Distributor

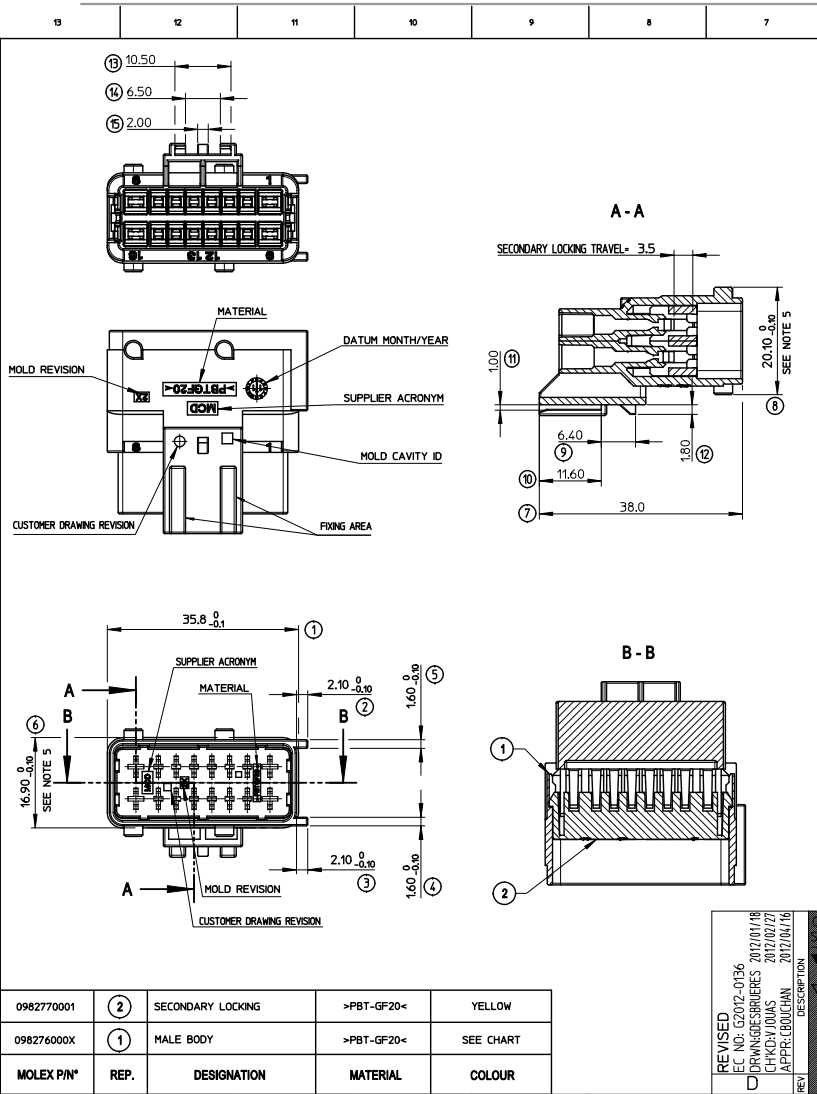
Click to view price, real time Inventory, Delivery & Lifecycle Information:

[Molex Connector Corporation](#)

[0982761001](#)

For any questions, you can email us directly:

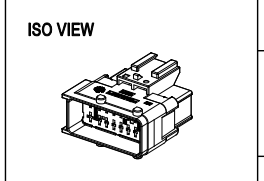
[sales@integrated-circuit.com](mailto:sales@integrated-circuit.com)



CODINGS	
COLOR: BLACK P/N*: 0982761001	
COLOR: GREEN P/N*: 0982761002	
COLOR: BLUE P/N*: 0982761003	
COLOR: WHITE P/N*: 0982761004	
COLOR: BROWN P/N*: 0982761005	
COLOR: GREY P/N*: 0982761006	

MODIFICATIONS		
REV.	DESCRIPTION	NAME DATE
A	PRELIMINARY ISSUE FOR GENERAL MARKET	EBA 04/11/08
B	MODIFICATION OF SHAPE ON 15 TERMINAL'S LATCHES	PKO 07/19/02
C	CHANGE THE SUPPLIER OF MATERIAL ON THE MALE BODY	PKO 07/10/23
D	CODINGS REDRAWN TO BE LINKED WITH 3D MODELS. ALL MARKINGS UPDATED. -REPAGED. -TEXTS IN FRENCH DELETED. -NOTES UPDATED. FIXING AREA DEFINED WITH DIMS#9 TO 15. SECTION A-A UPDATED. -DIM#7 MOVED ON SECTION A-A.	GD 12/02/27

- NOTES:**
- FOR ILLUSTRATION PURPOSE THE MALE MODULE SHOWN IS THE BLACK VERSION.
  - FEMALE CONNECTOR WILL MATE WITH MALE CONNECTOR P/N\*: 098273100X.
  - APPLICATION SPECIFICATION: AS-98276-001.
  - PACKAGING SPECIFICATION: PK-98276-001.
  - BOW ALLOWED 0.2 ON EACH SIDE.
  - TERMINALS TO BE USED ARE SPECIFIED IN APPLICATION SPECIFICATION.



0982770001	②	SECONDARY LOCKING	>PBT-GF20<	YELLOW
098276000X	①	MALE BODY	>PBT-GF20<	SEE CHART
<b>MOLEX P/N*</b>	<b>REP.</b>	<b>DESIGNATION</b>	<b>MATERIAL</b>	<b>COLOUR</b>

<b>REVISIONS</b> EC NO: G2012-0136 DRAWING DES BURELIERES 2012/01/18 CHIKICY JUDAS 2012/01/27 APPR: COULCHAN 2012/01/16	<b>QUALITY SYMBOLS</b> 	GENERAL TOLERANCES (UNLESS SPECIFIED)		DIMENSION STYLE MM ONLY		SCALE 2:1	DESIGN UNITS METRIC	FIRST ANGLE PROJECTION		
		4 PLACES ± --- ± ---	3 PLACES ± --- ± ---	2 PLACES ± 0.10 ± ---	1 PLACE ± 0.2 ± ---	DRAWN BY EBASSET	DATE 2004/11/08		TITLE 16W HYB. MALE CONN.	
		ANGULAR ± 1 °				CHECKED BY EBASSET	DATE 2004/11/08		MOLEX INCORPORATED	
		DRAFT WHERE APPLICABLE MUST REMAIN WITHIN DIMENSIONS				APPROVED BY LSTICKEI	DATE 2004/11/08		MATERIAL NO. SEE CHART	DOCUMENT NO. SD-98276-001

THIS DRAWING CONTAINS INFORMATION THAT IS PROPRIETARY TO MOLEX INCORPORATED AND SHOULD NOT BE USED WITHOUT WRITTEN PERMISSION