

Excellent Integrated System Limited

Stocking Distributor

Click to view price, real time Inventory, Delivery & Lifecycle Information:

[Phoenix Contact](#)
[1682870](#)

For any questions, you can email us directly:

sales@integrated-circuit.com



Extract from the online catalog

SAC-4P-M12MR/1,5-PUR SH

Order No.: 1682870



<http://eshop.phoenixcontact.de/phoenix/treeViewClick.do?UID=1682870>

Sensor/Actuator cable, 4-position, PUR, halogen-free, Black-gray RAL 7021, shielded, Plug, angled M12, A-coded, on Free conductor end, Cable length: 1.5 m

| Commercial data | |
|--------------------------|-------------------|
| EAN | 4017918169008 |
| Pack | 1 pcs. |
| Customs tariff | 85444290 |
| Weight/Piece | 0.0897 KG |
| Catalog page information | Page 85 (PC-2009) |

Product notes

WEEE/RoHS-compliant since: 11/17/2006



<http://www.download.phoenixcontact.com>
Please note that the data given here has been taken from the online catalog. For comprehensive information and data, please refer to the user documentation. The General Terms and Conditions of Use apply to Internet downloads.

Technical data

| General data | |
|-----------------------|--------------------------|
| Nominal current I_N | 4 A |
| Nominal voltage U_N | 250 V |
| Number of positions | 4 |
| Volume resistance | $\leq 5 \text{ m}\Omega$ |

SAC-4P-M12MR/1,5-PUR SH Order No.: 1682870

<http://eshop.phoenixcontact.de/phoenix/treeViewClick.do?UID=1682870>

| | |
|--|----------|
| Insulation resistance | ≥ 100 MΩ |
| Length of cable | 1.5 m |
| Stripping length of the free conductor end | 50 mm |

General characteristics

| | |
|--------------------------|---|
| Coding | A - standard |
| Surge voltage category | II |
| Pollution degree | 3 |
| Degree of protection | IP65/IP67/IP69K |
| Contact material | CuSn |
| Contact surface material | Ni/Au |
| Contact carrier material | TPU GF |
| Material of grip body | TPU, hardly inflammable, self-extinguishing |
| Material, knurls | Zinc die-cast, (nickel-plated) |
| Status display | No |

Conductor data

| | |
|------------------------------------|---|
| Cable type | PUR halogen-free black shielded |
| Cable type (abbreviation) | PUR |
| Cable abbreviation | Li9Y-V1-C-V1-11Y |
| Conductor cross section | 0.34 mm ² |
| AWG signal line | 22 |
| Conductor structure, signal line | 42x 0.10 mm |
| Core diameter including insulation | 1.27 mm ±0.02 mm |
| Thickness, insulation | ≥ 0.21 mm (Core insulation) |
| | Approx. 1 mm (Outer cable sheath) |
| External cable diameter | 5.90 mm |
| Wire colors | Brown, white, blue, black |
| External sheath, color | Black-gray RAL 7021 |
| Insulation resistance | ≥ 100 GΩ*km |
| Conductor resistance | max. 58 Ω/km |
| Nominal voltage, conductor | ≤ 300 V |
| Test voltage, conductor | ≥ 3000 V |
| Overall twist | 4 wires, twisted |
| Shielding | Braided shielding made of tin-plated copper wires |
| Optical shield covering | 85 % |

SAC-4P-M12MR/1,5-PUR SH Order No.: 1682870

<http://eshop.phoenixcontact.de/phoenix/treeViewClick.do?UID=1682870>

| | |
|---|--|
| Outer sheath, material | PUR |
| Material conductor insulation | PP |
| Conductor material | Bare Cu litz wires |
| Cable weight | 47 kg/km |
| Smallest bending radius, fixed installation | 59 mm |
| Smallest bending radius, movable installation | 59 mm |
| Number of bending cycles | 4000000 |
| Bending radius | 50 mm |
| Traversing path | 10 m |
| Traversing rate | 3 m/s |
| Acceleration | 10 m/s ² |
| Ambient temperature (operation) | -40 °C ... 80 °C (cable, fixed installation) -5 °C ... 80 °C (cable, flexible installation) |
| Special properties | Flexible cable conduit capable Silicone-free Free of substances which would hinder coating with paint or varnish |
| Flame resistance | As per UL-Style 20549 |
| Freedom from halogen | As per DIN VDE 0472 part 815 |
| Resistance to oil | complying with DIN EN 60811-2-1 |
| Other resistance | Highly resistant to acids, alkaline solutions and solvents hydrolysis and microbe resistant |

Certificates / Approvals



Certification

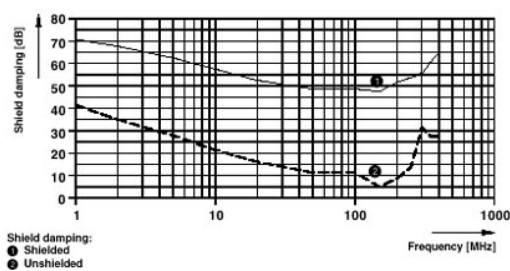
CUL Listed, GOST, UL Listed

SAC-4P-M12MR/1,5-PUR SH Order No.: 1682870

<http://eshop.phoenixcontact.de/phoenix/treeViewClick.do?UID=1682870>

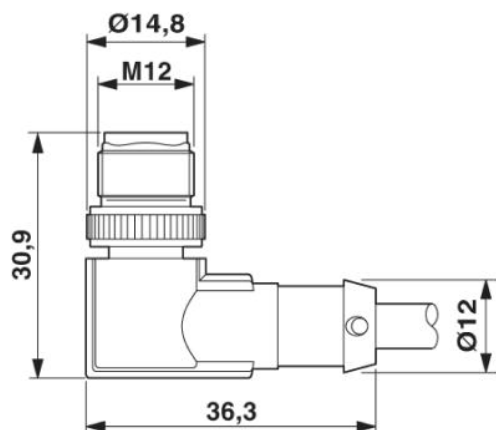
Diagrams/Drawings

Diagram



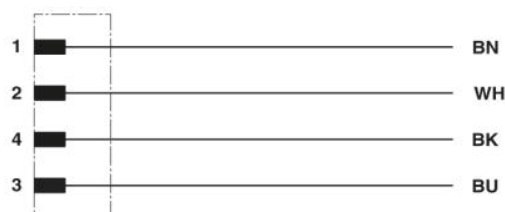
Dimensioned drawing

M12 x 1 male connector, angled, shielded



Circuit diagram

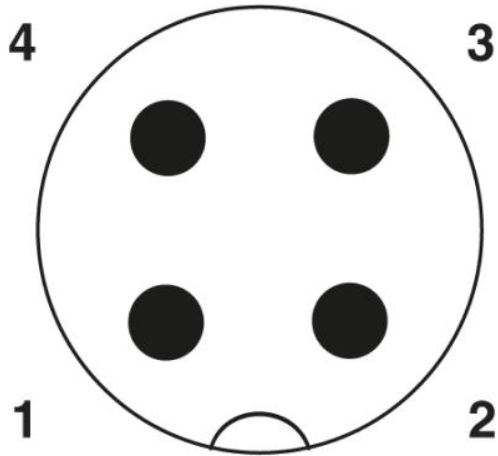
Contact assignment of the M12 plug



SAC-4P-M12MR/1,5-PUR SH Order No.: 1682870

<http://eshop.phoenixcontact.de/phoenix/treeViewClick.do?UID=1682870>

Schematic diagram



Pin assignment M12 plug, 4-pos., A-coded, view plug side

SAC-4P-M12MR/1,5-PUR SH Order No.: 1682870

<http://eshop.phoenixcontact.de/phoenix/treeViewClick.do?UID=1682870>

Address

PHOENIX CONTACT Inc., USA
586 Fulling Mill Road
Middletown, PA 17057, USA
Phone (800) 888-7388
Fax (717) 944-1625
<http://www.phoenixcon.com>



© 2010 Phoenix Contact
Technical modifications reserved;