

## Excellent Integrated System Limited

Stocking Distributor

Click to view price, real time Inventory, Delivery & Lifecycle Information:

[Phoenix Contact](#)  
[1683468](#)

For any questions, you can email us directly:

[sales@integrated-circuit.com](mailto:sales@integrated-circuit.com)



Extract from the online catalog

## SAC-5P-M12Y/2XM12FS VP

Order No.: 1683468



<http://eshop.phoenixcontact.de/phoenix/treeViewClick.do?UID=1683468>

Y-distributor, 5-pos., straight M12 plug on 2 x straight M12 socket, parallel distributor

Commercial data	
EAN	4017918166915
Pack	5 pcs.
Customs tariff	85366990
Weight/Piece	0.02873 KG
Catalog page information	Page 104 (PC-2009)

### Product notes

WEEE/RoHS-compliant since:  
11/16/2006



<http://www.download.phoenixcontact.com>  
 Please note that the data given here has been taken from the online catalog. For comprehensive information and data, please refer to the user documentation. The General Terms and Conditions of Use apply to Internet downloads.

## Technical data

General data	
Nominal current $I_N$	4 A
Nominal voltage $U_N$	60 V
Number of positions	5
Volume resistance	$\leq 5 \text{ m}\Omega$
Insulation resistance	$\geq 100 \text{ M}\Omega$

SAC-5P-M12Y/2XM12FS VP Order No.: 1683468

<http://eshop.phoenixcontact.de/phoenix/treeViewClick.do?UID=1683468>

Ambient temperature (operation)	-25 °C ... 90 °C
<b>General characteristics</b>	
Coding	A - standard
Surge voltage category	II
Pollution degree	3
Degree of protection	IP65/IP68/IP69K
Contact material	CuZn
Contact surface material	Ni/Au
Contact carrier material	TPU GF
Material of grip body	TPU, hardly inflammable, self-extinguishing
Material, knurls	Zinc die-cast, (nickel-plated)
Sealing material	NBR
Status display	No

#### Certificates / Approvals

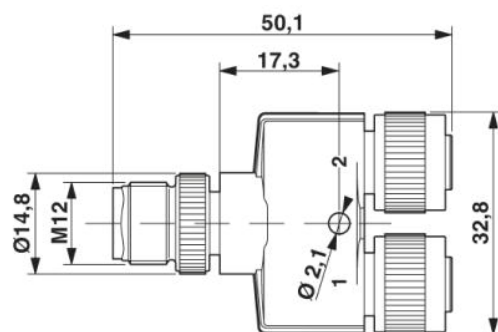


Certification

GOST

#### Diagrams/Drawings

Dimensioned drawing

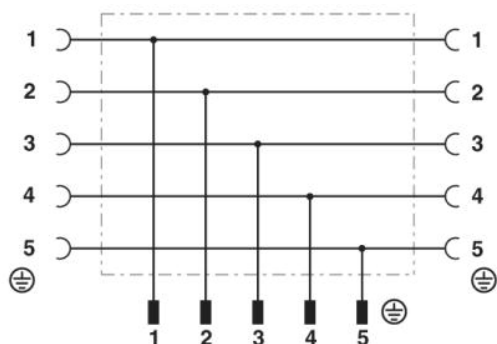


M12 Y distributor

SAC-5P-M12Y/2XM12FS VP Order No.: 1683468

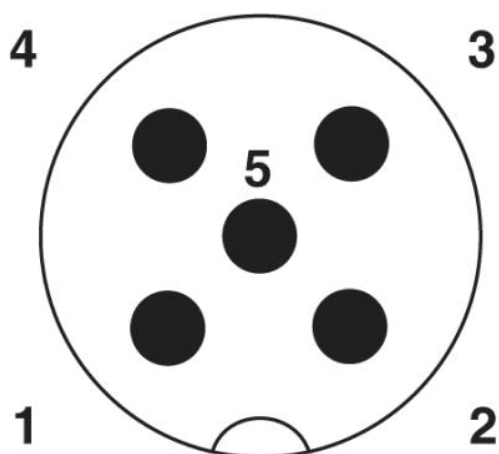
<http://eshop.phoenixcontact.de/phoenix/treeViewClick.do?UID=1683468>

Circuit diagram

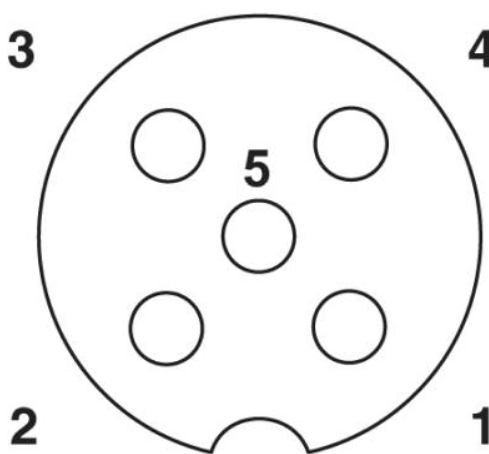


Contact assignment of the M12 Y-distributor

Schematic diagram



Pin assignment M12 male connector, 5-pos., A-coded, male side



Pin assignment M12 socket, 5-pos., A-coded, socket side view

SAC-5P-M12Y/2XM12FS VP Order No.: 1683468

<http://eshop.phoenixcontact.de/phoenix/treeViewClick.do?UID=1683468>

---

**Address**

PHOENIX CONTACT Inc., USA  
586 Fulling Mill Road  
Middletown, PA 17057, USA  
Phone (800) 888-7388  
Fax (717) 944-1625  
<http://www.phoenixcon.com>



© 2010 Phoenix Contact  
Technical modifications reserved;