

Excellent Integrated System Limited

Stocking Distributor

Click to view price, real time Inventory, Delivery & Lifecycle Information:

[Phoenix Contact](#)
[1765690](#)

For any questions, you can email us directly:

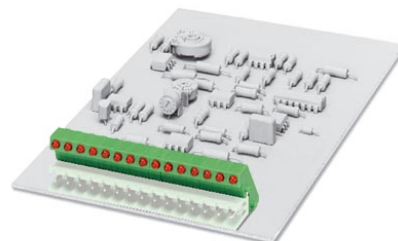
sales@integrated-circuit.com



Extract from the online catalog

MSTB-LA/RD

Order No.: 1765690



<http://eshop.phoenixcontact.de/phoenix/treeViewClick.do?UID=1765690>

MSTB light indicator element, 1 position, snaps onto MSTB 2.5/...-G-LA and MSTBA 2.5/...-G-LA, with 5 mm pitch or 5.08 mm pitch if the interlocking is loosened, red, yellow, green LED without preresistor

Commercial data	
EAN	4017918031787
Pack	50 pcs.
Customs tariff	85366990
Weight/Piece	0.001167 KG

Product notes

WEEE/RoHS-compliant since:
01/01/2003



<http://www.download.phoenixcontact.com>
Please note that the data given here has been taken from the online catalog. For comprehensive information and data, please refer to the user documentation. The General Terms and Conditions of Use apply to Internet downloads.

Certificates / Approvals



Certification CSA, CUL, UL

CSA

Nominal voltage U_N	24 V
-----------------------	------

MSTB-LA/RD Order No.: 1765690

<http://eshop.phoenixcontact.de/phoenix/treeViewClick.do?UID=1765690>
Accessories

Item	Designation	Description
General		
1770711	MSTB 2,5/ 2-G-5,08-LA	Header, Nominal current: 12 A, Nom. voltage: 250 V, Pitch: 5.08 mm, Number of positions: 2, Assembly: Soldering
1768189	MSTB 2,5/ 2-G-LA	Header, Nominal current: 12 A, Nom. voltage: 250 V, Pitch: 5 mm, Number of positions: 2, Assembly: Soldering
1770724	MSTB 2,5/ 3-G-5,08-LA	Header, Nominal current: 12 A, Nom. voltage: 250 V, Pitch: 5.08 mm, Number of positions: 3, Assembly: Soldering
1768192	MSTB 2,5/ 3-G-LA	Header, Nominal current: 12 A, Nom. voltage: 250 V, Pitch: 5 mm, Number of positions: 3, Assembly: Soldering
1770737	MSTB 2,5/ 4-G-5,08-LA	Header, Nominal current: 12 A, Nom. voltage: 250 V, Pitch: 5.08 mm, Number of positions: 4, Assembly: Soldering
1768202	MSTB 2,5/ 4-G-LA	Header, Nominal current: 12 A, Nom. voltage: 250 V, Pitch: 5 mm, Number of positions: 4, Assembly: Soldering
1770740	MSTB 2,5/ 5-G-5,08-LA	Header, Nominal current: 12 A, Nom. voltage: 250 V, Pitch: 5.08 mm, Number of positions: 5, Assembly: Soldering
1768215	MSTB 2,5/ 5-G-LA	Header, Nominal current: 12 A, Nom. voltage: 250 V, Pitch: 5 mm, Number of positions: 5, Assembly: Soldering
1770753	MSTB 2,5/ 6-G-5,08-LA	Header, Nominal current: 12 A, Nom. voltage: 250 V, Pitch: 5.08 mm, Number of positions: 6, Assembly: Soldering
1768228	MSTB 2,5/ 6-G-LA	Header, Nominal current: 12 A, Nom. voltage: 250 V, Pitch: 5 mm, Number of positions: 6, Assembly: Soldering
1770766	MSTB 2,5/ 7-G-5,08-LA	Header, Nominal current: 12 A, Nom. voltage: 250 V, Pitch: 5.08 mm, Number of positions: 7, Assembly: Soldering
1768231	MSTB 2,5/ 7-G-LA	Header, Nominal current: 12 A, Nom. voltage: 250 V, Pitch: 5 mm, Number of positions: 7, Assembly: Soldering
1770779	MSTB 2,5/ 8-G-5,08-LA	Header, Nominal current: 12 A, Nom. voltage: 250 V, Pitch: 5.08 mm, Number of positions: 8, Assembly: Soldering
1768244	MSTB 2,5/ 8-G-LA	Header, Nominal current: 12 A, Nom. voltage: 250 V, Pitch: 5 mm, Number of positions: 8, Assembly: Soldering
1770782	MSTB 2,5/ 9-G-5,08-LA	Header, Nominal current: 12 A, Nom. voltage: 250 V, Pitch: 5.08 mm, Number of positions: 9, Assembly: Soldering
1768257	MSTB 2,5/ 9-G-LA	Header, Nominal current: 12 A, Nom. voltage: 250 V, Pitch: 5 mm, Number of positions: 9, Assembly: Soldering
1770795	MSTB 2,5/10-G-5,08-LA	Header, Nominal current: 12 A, Nom. voltage: 250 V, Pitch: 5.08 mm, Number of positions: 10, Assembly: Soldering
1768260	MSTB 2,5/10-G-LA	Header, Nominal current: 12 A, Nom. voltage: 250 V, Pitch: 5 mm, Number of positions: 10, Assembly: Soldering
1770805	MSTB 2,5/11-G-5,08-LA	Header, Nominal current: 12 A, Nom. voltage: 250 V, Pitch: 5.08 mm, Number of positions: 11, Assembly: Soldering

MSTB-LA/RD Order No.: 1765690

<http://eshop.phoenixcontact.de/phoenix/treeViewClick.do?UID=1765690>

1768273	MSTB 2,5/11-G-LA	Header, Nominal current: 12 A, Nom. voltage: 250 V, Pitch: 5 mm, Number of positions: 11, Assembly: Soldering
1770818	MSTB 2,5/12-G-5,08-LA	Header, Nominal current: 12 A, Nom. voltage: 250 V, Pitch: 5.08 mm, Number of positions: 12, Assembly: Soldering
1768286	MSTB 2,5/12-G-LA	Header, Nominal current: 12 A, Nom. voltage: 250 V, Pitch: 5 mm, Number of positions: 12, Assembly: Soldering
1770821	MSTB 2,5/13-G-5,08-LA	Header, Nominal current: 12 A, Nom. voltage: 250 V, Pitch: 5.08 mm, Number of positions: 13, Assembly: Soldering
1768299	MSTB 2,5/13-G-LA	Header, Nominal current: 12 A, Nom. voltage: 250 V, Pitch: 5 mm, Number of positions: 13, Assembly: Soldering
1770834	MSTB 2,5/14-G-5,08-LA	Header, Nominal current: 12 A, Nom. voltage: 250 V, Pitch: 5.08 mm, Number of positions: 14, Assembly: Soldering
1768309	MSTB 2,5/14-G-LA	Header, Nominal current: 12 A, Nom. voltage: 250 V, Pitch: 5 mm, Number of positions: 14, Assembly: Soldering
1770847	MSTB 2,5/15-G-5,08-LA	Header, Nominal current: 12 A, Nom. voltage: 250 V, Pitch: 5.08 mm, Number of positions: 15, Assembly: Soldering
1768312	MSTB 2,5/15-G-LA	Header, Nominal current: 12 A, Nom. voltage: 250 V, Pitch: 5 mm, Number of positions: 15, Assembly: Soldering
1770850	MSTB 2,5/16-G-5,08-LA	Header, Nominal current: 12 A, Nom. voltage: 250 V, Pitch: 5.08 mm, Number of positions: 16, Assembly: Soldering
1768325	MSTB 2,5/16-G-LA	Header, Nominal current: 12 A, Nom. voltage: 250 V, Pitch: 5 mm, Number of positions: 16, Assembly: Soldering
1770863	MSTB 2,5/17-G-5,08-LA	Header, Nominal current: 12 A, Nom. voltage: 250 V, Pitch: 5.08 mm, Number of positions: 17, Assembly: Soldering
1768338	MSTB 2,5/17-G-LA	Header, Nominal current: 12 A, Nom. voltage: 250 V, Pitch: 5 mm, Number of positions: 17, Assembly: Soldering
1770876	MSTB 2,5/18-G-5,08-LA	Header, Nominal current: 12 A, Nom. voltage: 250 V, Pitch: 5.08 mm, Number of positions: 18, Assembly: Soldering
1768341	MSTB 2,5/18-G-LA	Header, Nominal current: 12 A, Nom. voltage: 250 V, Pitch: 5 mm, Number of positions: 18, Assembly: Soldering
1770889	MSTB 2,5/19-G-5,08-LA	Header, Nominal current: 12 A, Nom. voltage: 250 V, Pitch: 5.08 mm, Number of positions: 19, Assembly: Soldering
1768354	MSTB 2,5/19-G-LA	Header, Nominal current: 12 A, Nom. voltage: 250 V, Pitch: 5 mm, Number of positions: 19, Assembly: Soldering
1770892	MSTB 2,5/20-G-5,08-LA	Header, Nominal current: 12 A, Nom. voltage: 250 V, Pitch: 5.08 mm, Number of positions: 20, Assembly: Soldering
1768367	MSTB 2,5/20-G-LA	Header, Nominal current: 12 A, Nom. voltage: 250 V, Pitch: 5 mm, Number of positions: 20, Assembly: Soldering
1770902	MSTB 2,5/21-G-5,08-LA	Header, Nominal current: 12 A, Nom. voltage: 250 V, Pitch: 5.08 mm, Number of positions: 21, Assembly: Soldering
1768370	MSTB 2,5/21-G-LA	Header, Nominal current: 12 A, Nom. voltage: 250 V, Pitch: 5 mm, Number of positions: 21, Assembly: Soldering
1770915	MSTB 2,5/22-G-5,08-LA	Header, Nominal current: 12 A, Nom. voltage: 250 V, Pitch: 5.08 mm, Number of positions: 22, Assembly: Soldering

MSTB-LA/RD Order No.: 1765690

<http://eshop.phoenixcontact.de/phoenix/treeViewClick.do?UID=1765690>

1768383	MSTB 2,5/22-G-LA	Header, Nominal current: 12 A, Nom. voltage: 250 V, Pitch: 5 mm, Number of positions: 22, Assembly: Soldering
1770928	MSTB 2,5/23-G-5,08-LA	Header, Nominal current: 12 A, Nom. voltage: 250 V, Pitch: 5.08 mm, Number of positions: 23, Assembly: Soldering
1768396	MSTB 2,5/23-G-LA	Header, Nominal current: 12 A, Nom. voltage: 250 V, Pitch: 5 mm, Number of positions: 23, Assembly: Soldering
1770931	MSTB 2,5/24-G-5,08-LA	Header, Nominal current: 12 A, Nom. voltage: 250 V, Pitch: 5.08 mm, Number of positions: 24, Assembly: Soldering
1768406	MSTB 2,5/24-G-LA	Header, Nominal current: 12 A, Nom. voltage: 250 V, Pitch: 5 mm, Number of positions: 24, Assembly: Soldering
1770944	MSTBA 2,5/ 2-G-5,08-LA	Header, Nominal current: 12 A, Nom. voltage: 250 V, Pitch: 5.08 mm, Number of positions: 2, Assembly: Soldering
1770481	MSTBA 2,5/ 2-G-LA	Header, Nominal current: 12 A, Nom. voltage: 250 V, Pitch: 5 mm, Number of positions: 2, Assembly: Soldering
1770957	MSTBA 2,5/ 3-G-5,08-LA	Header, Nominal current: 12 A, Nom. voltage: 250 V, Pitch: 5.08 mm, Number of positions: 3, Assembly: Soldering
1770494	MSTBA 2,5/ 3-G-LA	Header, Nominal current: 12 A, Nom. voltage: 250 V, Pitch: 5 mm, Number of positions: 3, Assembly: Soldering
1770960	MSTBA 2,5/ 4-G-5,08-LA	Header, Nominal current: 12 A, Nom. voltage: 250 V, Pitch: 5.08 mm, Number of positions: 4, Assembly: Soldering
1770504	MSTBA 2,5/ 4-G-LA	Header, Nominal current: 12 A, Nom. voltage: 250 V, Pitch: 5 mm, Number of positions: 4, Assembly: Soldering
1770973	MSTBA 2,5/ 5-G-5,08-LA	Header, Nominal current: 12 A, Nom. voltage: 250 V, Pitch: 5.08 mm, Number of positions: 5, Assembly: Soldering
1770517	MSTBA 2,5/ 5-G-LA	Header, Nominal current: 12 A, Nom. voltage: 250 V, Pitch: 5 mm, Number of positions: 5, Assembly: Soldering
1770986	MSTBA 2,5/ 6-G-5,08-LA	Header, Nominal current: 12 A, Nom. voltage: 250 V, Pitch: 5.08 mm, Number of positions: 6, Assembly: Soldering
1770520	MSTBA 2,5/ 6-G-LA	Header, Nominal current: 12 A, Nom. voltage: 250 V, Pitch: 5 mm, Number of positions: 6, Assembly: Soldering
1770999	MSTBA 2,5/ 7-G-5,08-LA	Header, Nominal current: 12 A, Nom. voltage: 250 V, Pitch: 5.08 mm, Number of positions: 7, Assembly: Soldering
1770533	MSTBA 2,5/ 7-G-LA	Header, Nominal current: 12 A, Nom. voltage: 250 V, Pitch: 5 mm, Number of positions: 7, Assembly: Soldering
1771008	MSTBA 2,5/ 8-G-5,08-LA	Header, Nominal current: 12 A, Nom. voltage: 250 V, Pitch: 5.08 mm, Number of positions: 8, Assembly: Soldering
1770546	MSTBA 2,5/ 8-G-LA	Header, Nominal current: 12 A, Nom. voltage: 250 V, Pitch: 5 mm, Number of positions: 8, Assembly: Soldering
1768011	MSTBA 2,5/ 9-G-5,08-LA	Header, Nominal current: 12 A, Nom. voltage: 250 V, Pitch: 5.08 mm, Number of positions: 9, Assembly: Soldering
1770559	MSTBA 2,5/ 9-G-LA	Header, Nominal current: 12 A, Nom. voltage: 250 V, Pitch: 5 mm, Number of positions: 9, Assembly: Soldering
1768024	MSTBA 2,5/10-G-5,08-LA	Header, Nominal current: 12 A, Nom. voltage: 250 V, Pitch: 5.08 mm, Number of positions: 10, Assembly: Soldering

MSTB-LA/RD Order No.: 1765690

<http://eshop.phoenixcontact.de/phoenix/treeViewClick.do?UID=1765690>

1770562	MSTBA 2,5/10-G-LA	Header, Nominal current: 12 A, Nom. voltage: 250 V, Pitch: 5 mm, Number of positions: 10, Assembly: Soldering
1768037	MSTBA 2,5/11-G-5,08-LA	Header, Nominal current: 12 A, Nom. voltage: 250 V, Pitch: 5.08 mm, Number of positions: 11, Assembly: Soldering
1770575	MSTBA 2,5/11-G-LA	Header, Nominal current: 12 A, Nom. voltage: 250 V, Pitch: 5 mm, Number of positions: 11, Assembly: Soldering
1768040	MSTBA 2,5/12-G-5,08-LA	Header, Nominal current: 12 A, Nom. voltage: 250 V, Pitch: 5.08 mm, Number of positions: 12, Assembly: Soldering
1770588	MSTBA 2,5/12-G-LA	Header, Nominal current: 12 A, Nom. voltage: 250 V, Pitch: 5 mm, Number of positions: 12, Assembly: Soldering
1768053	MSTBA 2,5/13-G-5,08-LA	Header, Nominal current: 12 A, Nom. voltage: 250 V, Pitch: 5.08 mm, Number of positions: 13, Assembly: Soldering
1770591	MSTBA 2,5/13-G-LA	Header, Nominal current: 12 A, Nom. voltage: 250 V, Pitch: 5 mm, Number of positions: 13, Assembly: Soldering
1768066	MSTBA 2,5/14-G-5,08-LA	Header, Nominal current: 12 A, Nom. voltage: 250 V, Pitch: 5.08 mm, Number of positions: 14, Assembly: Soldering
1770601	MSTBA 2,5/14-G-LA	Header, Nominal current: 12 A, Nom. voltage: 250 V, Pitch: 5 mm, Number of positions: 14, Assembly: Soldering
1768079	MSTBA 2,5/15-G-5,08-LA	Header, Nominal current: 12 A, Nom. voltage: 250 V, Pitch: 5.08 mm, Number of positions: 15, Assembly: Soldering
1770614	MSTBA 2,5/15-G-LA	Header, Nominal current: 12 A, Nom. voltage: 250 V, Pitch: 5 mm, Number of positions: 15, Assembly: Soldering
1768082	MSTBA 2,5/16-G-5,08-LA	Header, Nominal current: 12 A, Nom. voltage: 250 V, Pitch: 5.08 mm, Number of positions: 16, Assembly: Soldering
1770627	MSTBA 2,5/16-G-LA	Header, Nominal current: 12 A, Nom. voltage: 250 V, Pitch: 5 mm, Number of positions: 16, Assembly: Soldering
1768095	MSTBA 2,5/17-G-5,08-LA	Header, Nominal current: 12 A, Nom. voltage: 250 V, Pitch: 5.08 mm, Number of positions: 17, Assembly: Soldering
1770630	MSTBA 2,5/17-G-LA	Header, Nominal current: 12 A, Nom. voltage: 250 V, Pitch: 5 mm, Number of positions: 17, Assembly: Soldering
1768105	MSTBA 2,5/18-G-5,08-LA	Header, Nominal current: 12 A, Nom. voltage: 250 V, Pitch: 5.08 mm, Number of positions: 18, Assembly: Soldering
1770643	MSTBA 2,5/18-G-LA	Header, Nominal current: 12 A, Nom. voltage: 250 V, Pitch: 5 mm, Number of positions: 18, Assembly: Soldering
1768118	MSTBA 2,5/19-G-5,08-LA	Header, Nominal current: 12 A, Nom. voltage: 250 V, Pitch: 5.08 mm, Number of positions: 19, Assembly: Soldering
1770656	MSTBA 2,5/19-G-LA	Header, Nominal current: 12 A, Nom. voltage: 250 V, Pitch: 5 mm, Number of positions: 19, Assembly: Soldering
1768121	MSTBA 2,5/20-G-5,08-LA	Header, Nominal current: 12 A, Nom. voltage: 250 V, Pitch: 5.08 mm, Number of positions: 20, Assembly: Soldering
1770669	MSTBA 2,5/20-G-LA	Header, Nominal current: 12 A, Nom. voltage: 250 V, Pitch: 5 mm, Number of positions: 20, Assembly: Soldering
1768134	MSTBA 2,5/21-G-5,08-LA	Header, Nominal current: 12 A, Nom. voltage: 250 V, Pitch: 5.08 mm, Number of positions: 21, Assembly: Soldering

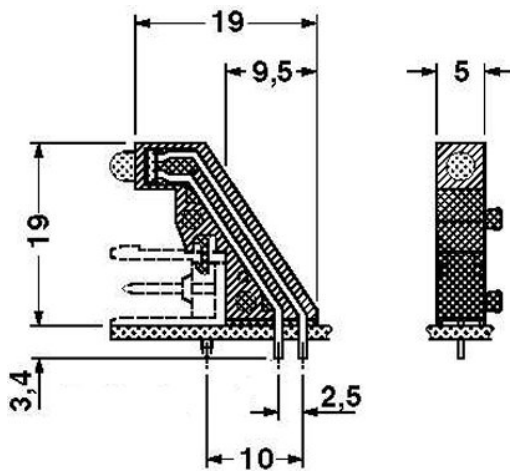
MSTB-LA/RD Order No.: 1765690

<http://eshop.phoenixcontact.de/phoenix/treeViewClick.do?UID=1765690>

1770672	MSTBA 2,5/21-G-LA	Header, Nominal current: 12 A, Nom. voltage: 250 V, Pitch: 5 mm, Number of positions: 21, Assembly: Soldering
1768147	MSTBA 2,5/22-G-5,08-LA	Header, Nominal current: 12 A, Nom. voltage: 250 V, Pitch: 5.08 mm, Number of positions: 22, Assembly: Soldering
1770685	MSTBA 2,5/22-G-LA	Header, Nominal current: 12 A, Nom. voltage: 250 V, Pitch: 5 mm, Number of positions: 22, Assembly: Soldering
1768150	MSTBA 2,5/23-G-5,08-LA	Header, Nominal current: 12 A, Nom. voltage: 250 V, Pitch: 5.08 mm, Number of positions: 23, Assembly: Soldering
1770698	MSTBA 2,5/23-G-LA	Header, Nominal current: 12 A, Nom. voltage: 250 V, Pitch: 5 mm, Number of positions: 23, Assembly: Soldering
1768163	MSTBA 2,5/24-G-5,08-LA	Header, Nominal current: 12 A, Nom. voltage: 250 V, Pitch: 5.08 mm, Number of positions: 24, Assembly: Soldering
1770708	MSTBA 2,5/24-G-LA	Header, Nominal current: 12 A, Nom. voltage: 250 V, Pitch: 5 mm, Number of positions: 24, Assembly: Soldering

Diagrams/Drawings

Dimensioned drawing



MSTB-LA/RD Order No.: 1765690

<http://eshop.phoenixcontact.de/phoenix/treeViewClick.do?UID=1765690>

Address

PHOENIX CONTACT Deutschland GmbH
Flachsmarktstr. 8
32825 Blomberg, Germany
Phone +49 5235 3 12000
Fax +49 5235 3 41200
<http://www.phoenixcontact.de>



© 2010 Phoenix Contact
Technical modifications reserved;