

Excellent Integrated System Limited

Stocking Distributor

Click to view price, real time Inventory, Delivery & Lifecycle Information:

[Phoenix Contact](#)
[1772434](#)

For any questions, you can email us directly:

sales@integrated-circuit.com



Extract from the online catalog

HC-D 25-TFL-72/M1PG21S

Order No.: 1772434



<http://eshop.phoenixcontact.de/phoenix/treeViewClick.do?UID=1772434>

Sleeve housing, for single locking latch, height 72 mm, with screw connection, 1x Pg21, lateral cable entry

Commercial data	
EAN	4017918037109
Pack	10 pcs.
Customs tariff	85389099
Weight/Piece	0.24434 KG
Catalog page information	Page 512 (PC-2009)

Product notes

WEEE/RoHS-compliant since:
02/17/2006



<http://www.download.phoenixcontact.com>
Please note that the data given here has been taken from the online catalog. For comprehensive information and data, please refer to the user documentation. The General Terms and Conditions of Use apply to Internet downloads.

Technical data

General data	
Note	For contact inserts HC-D25, A16
Design	D25
Height	72 mm
Width	36 mm

HC-D 25-TFL-72/M1PG21S Order No.: 1772434

<http://eshop.phoenixcontact.de/phoenix/treeViewClick.do?UID=1772434>

Length	79.5 mm
Housing type	Sleeve housings
Locking type	for single locking latch
Type of the screw connection	1x Pg21
Pg screw connection	With
Wrench size, union nut	28 mm
Cable exit	Lateral
External cable diameter	10 mm ... 19 mm
Degree of protection	IP65
Ambient temperature (operation)	-40 °C ... 125 °C
Housing material	Aluminum, die-cast
Housing surface material	Powder-coated, gray
Seal material	NBR
Cable gland material	Nickel-plated brass
Cable seal material	NBR

Certificates / Approvals

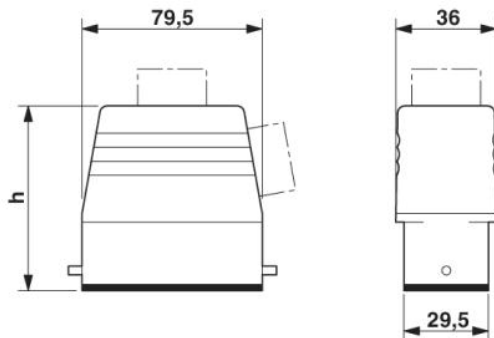


Certification

GOST

Diagrams/Drawings

Dimensioned drawing



HC-D 25-TFL-72/M1PG21S Order No.: 1772434

<http://eshop.phoenixcontact.de/phoenix/treeViewClick.do?UID=1772434>

Address

PHOENIX CONTACT Deutschland GmbH
Flachsmarktstr. 8
32825 Blomberg, Germany
Phone +49 5235 3 12000
Fax +49 5235 3 41200
<http://www.phoenixcontact.de>



© 2010 Phoenix Contact
Technical modifications reserved;