

Excellent Integrated System Limited

Stocking Distributor

Click to view price, real time Inventory, Delivery & Lifecycle Information:

[Phoenix Contact](#)
[1773132](#)

For any questions, you can email us directly:

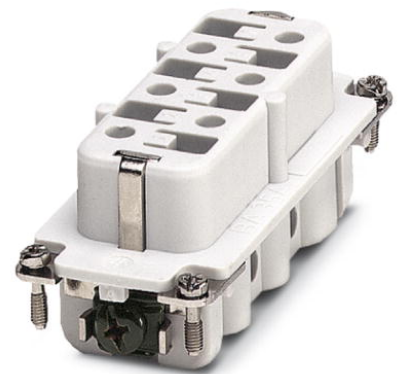
sales@integrated-circuit.com



Extract from the online catalog

HC-HS 6-EBUS

Order No.: 1773132



<http://eshop.phoenixcontact.de/phoenix/treeViewClick.do?UID=1773132>

HEAVYCON female insert, HS6 series, 6-pos., screw connection

Commercial data	
EAN	4017918037642
Pack	10 pcs.
Customs tariff	85366990
Weight/Piece	0.10312 KG
Catalog page information	Page 445 (PC-2009)

Product notes

WEEE/RoHS-compliant since:
03/01/2006



<http://www.download.phoenixcontact.com>
 Please note that the data given here has been taken from the online catalog. For comprehensive information and data, please refer to the user documentation. The General Terms and Conditions of Use apply to Internet downloads.

Technical data

General data	
Note	For housing HC-B16
Connection method	Screw connection
Tightening torque	1.2 Nm
Ambient temperature (operation)	-40 °C ... 125 °C (including heating up of contacts)
Pollution degree	3

HC-HS 6-EBUS Order No.: 1773132

<http://eshop.phoenixcontact.de/phoenix/treeViewClick.do?UID=1773132>

Surge voltage category	III
Constructional and testing regulations	DIN VDE 0627/86
	DIN VDE 0110/02.79
	DIN VDE 0110-1/04.97
	IEC 60664-1, DIN IEC 60512
Number of positions	6
Insertion/withdrawal cycles	≥ 500
Design	HS6
Connection in acc. with standard	IEC / EN
Conductor cross section	0.5 mm ² ... 6 mm ²
Connection cross section AWG	20 ... 10
Stripping length of the individual wire	10 mm
Assembly instructions	Connectors may be operated only when there is no load/voltage.

Material data

Inflammability class acc. to UL 94	V0
Contact material	Copper alloy
Contact surface material	Ag
Contact carrier material	PA

Electrical characteristics

Rated voltage (III/3)	500 V
Rated surge voltage	6 kV
Rated current	35 A

Certificates / Approvals



Certification CSA, GOST, UL

CSA

Nominal voltage U _N	600 V
Nominal current I _N	35 A
AWG/kcmil	20-10

HC-HS 6-EBUS Order No.: 1773132

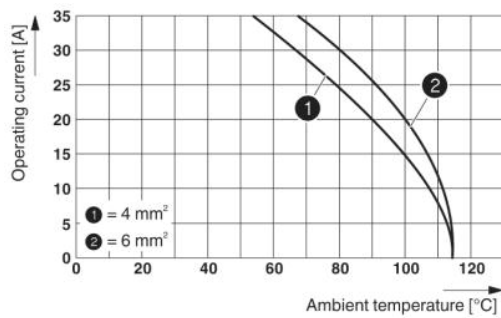
<http://eshop.phoenixcontact.de/phoenix/treeViewClick.do?UID=1773132>

UL

Nominal voltage U_N	600 V
Nominal current I_N	35 A
AWG/kcmil	10

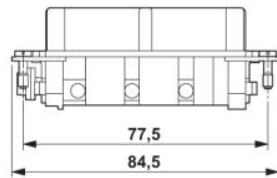
Diagrams/Drawings

Diagram

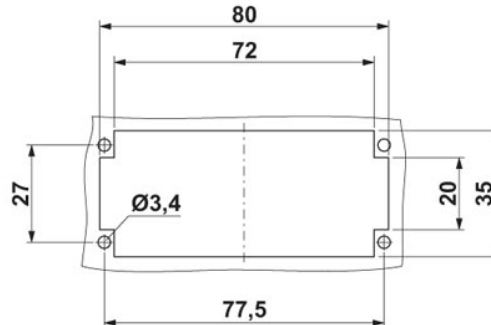
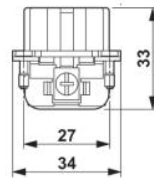


Derating diagram: HC-HS...S series

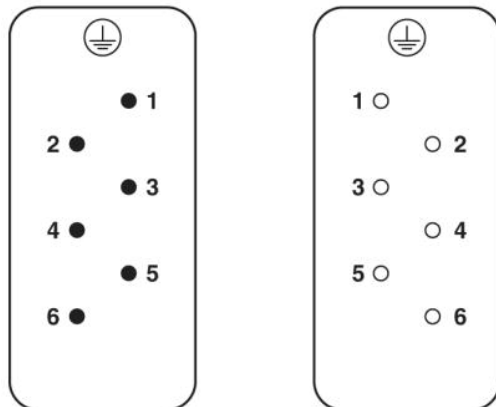
Dimensioned drawing



Female insert



Schematic diagram



HC-HS 6-EBUS Order No.: 1773132

<http://eshop.phoenixcontact.de/phoenix/treeViewClick.do?UID=1773132>

Address

PHOENIX CONTACT Inc., USA
586 Fulling Mill Road
Middletown, PA 17057, USA
Phone (800) 888-7388
Fax (717) 944-1625
<http://www.phoenixcon.com>



© 2010 Phoenix Contact
Technical modifications reserved;