

Excellent Integrated System Limited

Stocking Distributor

Click to view price, real time Inventory, Delivery & Lifecycle Information:

[Phoenix Contact](#)
[1774542](#)

For any questions, you can email us directly:
sales@integrated-circuit.com



Extract from the online catalog

HC-KA-D40-BU/PER

Order No.: 1774542



<http://eshop.phoenixcontact.de/phoenix/treeViewClick.do?UID=1774542>

HEAVYCON terminal adapter female insert, D40 series, 40-pos., right protective conductor connection for the left side of the control cabinet, screw connection

Commercial data	
EAN	4017918037833
Pack	5 pcs.
Customs tariff	85369010
Weight/Piece	0.36892 KG
Catalog page information	Page 384 (PC-2007)

Product notes

WEEE/RoHS-compliant since:
09/19/2006



<http://www.download.phoenixcontact.com>
 Please note that the data given here has been taken from the online catalog. For comprehensive information and data, please refer to the user documentation. The General Terms and Conditions of Use apply to Internet downloads.

Technical data

Electrical characteristics	
Note	For HEAVYCON-ADVANCE mounting flange and HEAVYCON panel mounting base of B16 type
Number of positions	40
Connection in acc. with standard	IEC / EN

HC-KA-D40-BU/PER Order No.: 1774542

<http://eshop.phoenixcontact.de/phoenix/treeViewClick.do?UID=1774542>

Rated voltage (III/3)	250 V
Rated surge voltage	4 kV
Rated current	10 A

Mechanical characteristics

Design	D40
Connection method	Screw connection
Tightening torque	0.5 Nm ... 0.8 Nm
Stripping length of the individual wire	10 mm
Conductor cross section	0.2 mm ² ... 2.5 mm ²
Connection cross section AWG	22 ... 12

General characteristics

Contact material	Copper alloy
Contact surface material	Ag
Contact carrier material	PA / PC
Terminal adapter width	56 mm
Height	81 mm
Pollution degree	3
Surge voltage category	III
Inflammability class acc. to UL 94	V0
Connection in acc. with standard	IEC / EN
Ambient temperature (operation)	-40 °C ... 125 °C
Installation instructions	Connectors may be plugged in only when there is no load/voltage. Not for HC-B 16-AMQ-EMV housings

Certificates / Approvals



Certification CSA, GOST, UL

CSA

Nominal voltage U _N	300 V
Nominal current I _N	5 A
AWG/kcmil	22-12

HC-KA-D40-BU/PER Order No.: 1774542

<http://eshop.phoenixcontact.de/phoenix/treeViewClick.do?UID=1774542>

UL

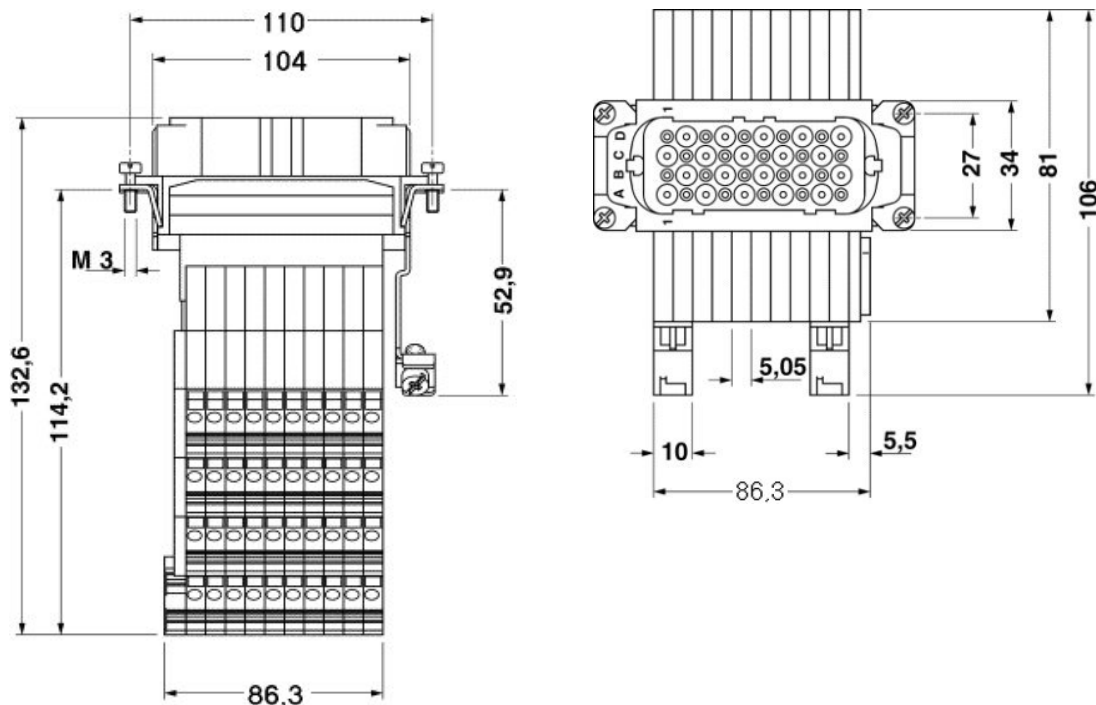
Nominal voltage U_N	600 V
Nominal current I_N	5 A
AWG/kcmil	22-12

Accessories

Item	Designation	Description
1775240	HC-KA-FE	Foot element, for mounting on DIN rail NS 32, DIN rail NS 35/7.5 or DIN rail NS 35/15, can be inserted between basic and side element
1660083	HC-VSH	Locking screw barrel, for a firm connection of contact inserts and DIN-rail mountable terminal adapters

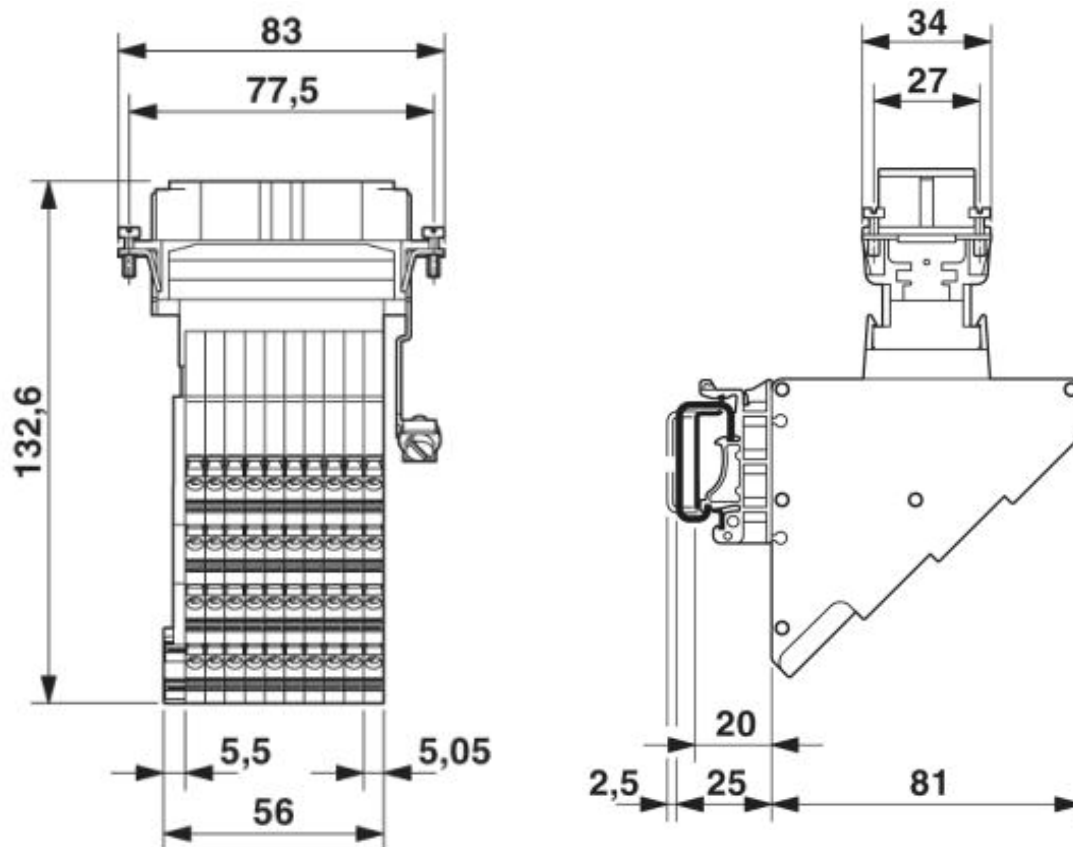
Diagrams/Drawings

Dimensioned drawing



HC-KA-D40-BU/PER Order No.: 1774542

<http://eshop.phoenixcontact.de/phoenix/treeViewClick.do?UID=1774542>



HC-KA-D40-BU/PER Order No.: 1774542

<http://eshop.phoenixcontact.de/phoenix/treeViewClick.do?UID=1774542>

Address

PHOENIX CONTACT Inc., USA
586 Fulling Mill Road
Middletown, PA 17057, USA
Phone (800) 888-7388
Fax (717) 944-1625
<http://www.phoenixcon.com>



© 2010 Phoenix Contact
Technical modifications reserved;