

Excellent Integrated System Limited

Stocking Distributor

Click to view price, real time Inventory, Delivery & Lifecycle Information:

[Phoenix Contact](#)
[1790319](#)

For any questions, you can email us directly:

sales@integrated-circuit.com



Extract from the online catalog

FFKDS/V1-5,08

Order No.: 1790319



<http://eshop.phoenixcontact.de/phoenix/treeViewClick.do?UID=1790319>

PC terminal block, Nominal current: 15 A, Nom. voltage: 320 V, Pitch: 5.08 mm, Number of positions: 1, Type of connection: Spring-cage conn., Assembly: Soldering, Conductor/PCB connection direction: 90 °, Color: green, The article can be aligned to create different nos. of positions!

Commercial data	
EAN	4017918044237
Pack	50 pcs.
Customs tariff	85369010
Weight/Piece	0.00118 KG
Catalog page information	Page 117 (CC-2009)

Product notes

WEEE/RoHS-compliant since:
01/01/2003



<http://www.download.phoenixcontact.com>
Please note that the data given here has been taken from the online catalog. For comprehensive information and data, please refer to the user documentation. The General Terms and Conditions of Use apply to Internet downloads.

Technical data

Dimensions / positions	
Length	12.7 mm
Pitch	5.08 mm
Number of positions	1

FFKDS/V1-5,08 Order No.: 1790319

<http://eshop.phoenixcontact.de/phoenix/treeViewClick.do?UID=1790319>

Pin dimensions	0,5 x 1 mm
Hole diameter	1.3 mm

Technical data

Insulating material group	I
Rated surge voltage (III/3)	4 kV
Rated surge voltage (III/2)	4 kV
Rated surge voltage (II/2)	4 kV
Rated voltage (III/2)	320 V
Rated voltage (II/2)	630 V
Connection in acc. with standard	EN-VDE
Nominal current I_N	15 A
Nominal voltage U_N	320 V
Nominal cross section	1.5 mm ²
Maximum load current	15 A (with 1.5 mm ² conductor cross section)
Insulating material	PA
Inflammability class acc. to UL 94	V0
Stripping length	10 mm

Connection data

Conductor cross section solid min.	0.2 mm ²
Conductor cross section solid max.	1.5 mm ²
Conductor cross section stranded min.	0.2 mm ²
Conductor cross section stranded max.	1.5 mm ²
Conductor cross section stranded, with ferrule without plastic sleeve min.	0.25 mm ²
Conductor cross section stranded, with ferrule without plastic sleeve max.	0.75 mm ²
Conductor cross section stranded, with ferrule with plastic sleeve min.	0.25 mm ²
Conductor cross section stranded, with ferrule with plastic sleeve max.	0.75 mm ²
Conductor cross section AWG/kcmil min.	24
Conductor cross section AWG/kcmil max	16

FFKDS/V1-5,08 Order No.: 1790319
<http://eshop.phoenixcontact.de/phoenix/treeViewClick.do?UID=1790319>

Certificates / Approvals



Certification CCA, CSA, CUL, GOST, KEMA, UL

CSA

Nominal voltage U_N	300 V
Nominal current I_N	10 A
AWG/kcmil	16

CUL

Nominal voltage U_N	300 V
Nominal current I_N	10 A
AWG/kcmil	22-16

UL

Nominal voltage U_N	300 V
Nominal current I_N	10 A
AWG/kcmil	22-16

Accessories

Item	Designation	Description
Marking		
0804293	SK 5,08/3,8:FORTL.ZAHLEN	Marker card, printed horizontally, self-adhesive, 12 identical decades marked 1-10, 11-20 etc. up to 91-(99)100, sufficient for 120 terminal blocks

Additional products

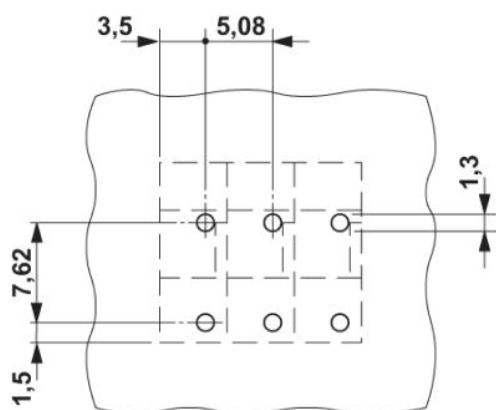
Item	Designation	Description
General		
1790490	FFKDSA1/V1-7,62	PC terminal block, Nominal current: 17.5 A, Nom. voltage: 500 V, Pitch: 7.62 mm, Number of positions: 1, Type of connection: Spring-cage connection, Assembly: Soldering, Conductor/PCB connection direction: 90 °, Color: green, The article can be aligned to create different nos. of positions!

FFKDS/V1-5,08 Order No.: 1790319

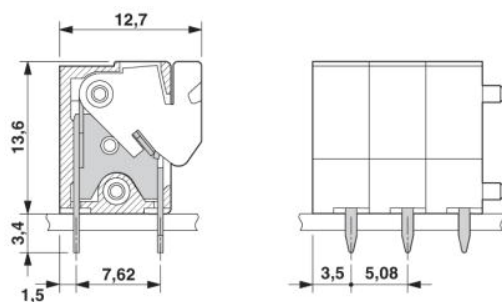
<http://eshop.phoenixcontact.de/phoenix/treeViewClick.do?UID=1790319>

Diagrams/Drawings

Drilling plan/solder pad geometry



Dimensioned drawing



FFKDS/V1-5,08 Order No.: 1790319

<http://eshop.phoenixcontact.de/phoenix/treeViewClick.do?UID=1790319>

Address

PHOENIX CONTACT Inc., USA
586 Fulling Mill Road
Middletown, PA 17057, USA
Phone (800) 888-7388
Fax (717) 944-1625
<http://www.phoenixcon.com>



© 2010 Phoenix Contact
Technical modifications reserved;