

## Excellent Integrated System Limited

Stocking Distributor

Click to view price, real time Inventory, Delivery & Lifecycle Information:

[Phoenix Contact](#)  
[1834440](#)

For any questions, you can email us directly:

[sales@integrated-circuit.com](mailto:sales@integrated-circuit.com)



Extract from the online catalog

## KGG-MC 1,5/12

Order No.: 1834440



<http://eshop.phoenixcontact.de/phoenix/treeViewClick.do?UID=1834440>

Cable housing, Pitch: 3.81 mm, Number of positions: 12, Dimension a: 48.11 mm, Color: green

Commercial data	
EAN	4017918110789
Pack	10 pcs.
Customs tariff	85472000
Weight/Piece	0.01186 KG
Catalog page information	Page 191 (CC-2009)

### Product notes

WEEE/RoHS-compliant since:  
01/01/2003



<http://www.download.phoenixcontact.com>  
Please note that the data given here has been taken from the online catalog. For comprehensive information and data, please refer to the user documentation. The General Terms and Conditions of Use apply to Internet downloads.

### Accessories

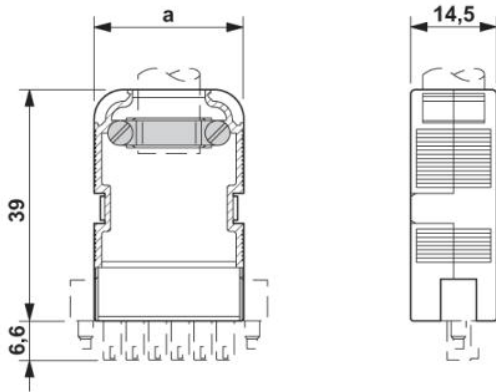
Item	Designation	Description
<b>Marking</b>		
1839050	KGG-MC 1,5/ DST	Transparent label carrier, can be marked with marker strips SBS 10
1007248	SBS10:UNBEDRUCKT	Marker cards, unprinted, for individual labeling with the M-PEN, 250-section, perforated, white plastic

KGG-MC 1,5/12 Order No.: 1834440

<http://eshop.phoenixcontact.de/phoenix/treeViewClick.do?UID=1834440>

## Diagrams/Drawings

Dimensioned drawing



KGG-MC 1,5/12 Order No.: 1834440

<http://eshop.phoenixcontact.de/phoenix/treeViewClick.do?UID=1834440>

---

#### Address

PHOENIX CONTACT Deutschland GmbH  
Flachsmarktstr. 8  
32825 Blomberg, Germany  
Phone +49 5235 3 12000  
Fax +49 5235 3 41200  
<http://www.phoenixcontact.de>



© 2010 Phoenix Contact  
Technical modifications reserved;