

Excellent Integrated System Limited

Stocking Distributor

Click to view price, real time Inventory, Delivery & Lifecycle Information:

[Phoenix Contact](#)
[1884322](#)

For any questions, you can email us directly:
sales@integrated-circuit.com



Extract from the online catalog

VC-MEMV-A1

Order No.: 1884322

The illustration shows version VC-MEMV-A3



<http://eshop.phoenixcontact.de/phoenix/treeViewClick.do?UID=1884322>

Panel mounting base, made of metal, EMC-coated type 1, number of modules 2, cable screw connection Pg16

Commercial data	
EAN	4017918164355
Pack	5 pcs.
Customs tariff	79070090
Weight/Piece	0.354 KG
Catalog page information	Page 370 (PC-2009)

Product notes

WEEE/RoHS-compliant since:
11/08/2006



<http://www.download.phoenixcontact.com>
Please note that the data given here has been taken from the online catalog. For comprehensive information and data, please refer to the user documentation. The General Terms and Conditions of Use apply to Internet downloads.

VC-MEMV-A1 Order No.: 1884322

<http://eshop.phoenixcontact.de/phoenix/treeViewClick.do?UID=1884322>

Technical data

General characteristics

Note	When using fiber optics, the bending radii of the cable manufacturers must be observed.
Design	VC1
Degree of protection	IP65/IP66/IP67
Type of the screw connection	1x Pg16
Pg screw connection	None
Height	49 mm
Number of module slots	2
Housing material	Zinc die-cast
Housing surface material	Nickel-plated
Seal material	EPDM, conductive
Ambient temperature (operation)	-40 °C ... 125 °C

Certificates / Approvals



Certification

GOST

Accessories

Item	Designation	Description
1852875	VC-BZS WH	Marker labels, unprinted, 5-section, for individual labeling with M-PEN or CMS system, white

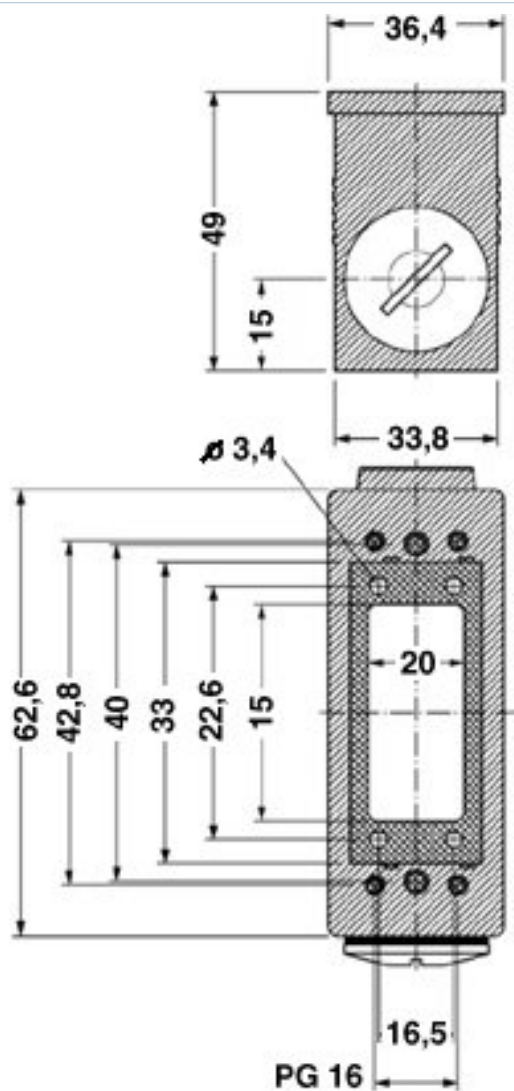
Marking

VC-MEMV-A1 Order No.: 1884322

<http://eshop.phoenixcontact.de/phoenix/treeViewClick.do?UID=1884322>

Diagrams/Drawings

Dimensioned drawing



VC-MEMV-A1 Order No.: 1884322

<http://eshop.phoenixcontact.de/phoenix/treeViewClick.do?UID=1884322>

Address

PHOENIX CONTACT Deutschland GmbH
Flachsmarktstr. 8
32825 Blomberg, Germany
Phone +49 5235 3 12000
Fax +49 5235 3 41200
<http://www.phoenixcontact.de>



© 2010 Phoenix Contact
Technical modifications reserved;