

## Excellent Integrated System Limited

Stocking Distributor

Click to view price, real time Inventory, Delivery & Lifecycle Information:

[Phoenix Contact](#)  
[2950103](#)

For any questions, you can email us directly:

[sales@integrated-circuit.com](mailto:sales@integrated-circuit.com)



Extract from the online catalog

## EMG 45-DIO 8E

Order No.: 2950103



<http://eshop.phoenixcontact.de/phoenix/treeViewClick.do?UID=2950103>

Diode module, with 8 diodes, individually wired, diode type 1N 4007

### Commercial data

EAN	4017918083953
Pack	5 pcs.
Customs tariff	85411000
Weight/Piece	0.08588 KG
Catalog page information	Page 664 (IF-2009)

### Product notes

WEEE/RoHS-compliant since:  
05/16/2006



<http://www.download.phoenixcontact.com>  
Please note that the data given here has been taken from the online catalog. For comprehensive information and data, please refer to the user documentation. The General Terms and Conditions of Use apply to Internet downloads.

### Technical data

#### General data

Diode type	1 N 4007
Max. operating voltage	250 V AC
Peak reverse voltage per diode	1300 V
Reverse current per diode	5 $\mu$ A
Conducting state voltage per diode	Approx. 0.8 V

EMG 45-DIO 8E Order No.: 2950103

<http://eshop.phoenixcontact.de/phoenix/treeViewClick.do?UID=2950103>

Conducting state current per diode	0.7 A (with single load) 0.5 A (with simultaneous loads)
Width	45 mm
Height	55 mm
Depth	75 mm
Ambient temperature (operation)	-20 °C ... 50 °C
Ambient temperature (storage/transport)	-40 °C ... 70 °C
Surge voltage category	III, basic insulation (as per EN 50178)
Mounting position	Any
Assembly instructions	In rows with zero spacing

**Connection data**

Conductor cross section solid min.	0.2 mm <sup>2</sup>
Conductor cross section solid max.	4 mm <sup>2</sup>
Conductor cross section stranded min.	0.2 mm <sup>2</sup>
Conductor cross section stranded max.	2.5 mm <sup>2</sup>
Conductor cross section AWG/kcmil min.	24
Conductor cross section AWG/kcmil max	12
Stripping length	8 mm
Screw thread	M3
Type of connection	Screw connection

**Certificates / Approvals**



Certification CUL, GOST, UL

**Accessories**

Item	Designation	Description
------	-------------	-------------

**Marking**

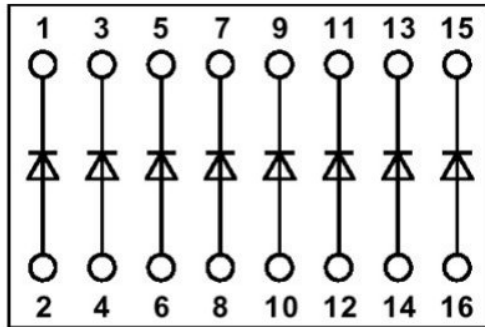
2947035	EMG-GKS 12	Equipment marker, width 12 mm
---------	------------	-------------------------------

EMG 45-DIO 8E Order No.: 2950103

<http://eshop.phoenixcontact.de/phoenix/treeViewClick.do?UID=2950103>

## Diagrams/Drawings

Circuit diagram



EMG 45-DIO 8E Order No.: 2950103

<http://eshop.phoenixcontact.de/phoenix/treeViewClick.do?UID=2950103>

---

**Address**

PHOENIX CONTACT Inc., USA  
586 Fulling Mill Road  
Middletown, PA 17057, USA  
Phone (800) 888-7388  
Fax (717) 944-1625  
<http://www.phoenixcon.com>



© 2010 Phoenix Contact  
Technical modifications reserved;