

Excellent Integrated System Limited

Stocking Distributor

Click to view price, real time Inventory, Delivery & Lifecycle Information:

[Phoenix Contact](#)
[2967099](#)

For any questions, you can email us directly:
sales@integrated-circuit.com



Extract from the online catalog

PLC-RSC-230UC/21-21

Order No.: 2967099

The illustration shows the version PLC-RSC- 24DC/21-21



<http://eshop.phoenixcontact.de/phoenix/treeViewClick.do?UID=2967099>

PLC relay, consisting of base terminal block PLC-BSC.../21 with screw connection and pluggable miniature relay with power contact, for assembly on DIN rail NS 35/7.5, 2 PDT, input voltage 230 V AC / 220 V DC



| Commercial data | |
|--------------------------|-------------------|
| EAN | 4017918156503 |
| Pack | 10 pcs. |
| Customs tariff | 85364900 |
| Weight/Piece | 0.06959 KG |
| Catalog page information | Page 77 (IF-2009) |

Product notes

WEEE/RoHS-compliant since:
04/11/2006



<http://www.download.phoenixcontact.com>
Please note that the data given here has been taken from the online catalog. For comprehensive information and data, please refer to the user documentation. The General Terms and Conditions of Use apply to Internet downloads.

Technical data

| Coil side | |
|-----------------------------|---------------------|
| Nominal input voltage U_N | 230 V AC (220 V DC) |
| | 220 V DC |

PLC-RSC-230UC/21-21 Order No.: 2967099

<http://eshop.phoenixcontact.de/phoenix/treeViewClick.do?UID=2967099>

| | |
|-----------------------------------|------------------------------|
| Nominal input current at U_{IN} | 4.5 mA (at $U_N = 230$ V AC) |
| | 4.3 mA (at $U_N = 220$ V DC) |
| Typical response time | 7 ms |
| Typical release time | 10 ms |
| Operating voltage display | Yes |
| Name of protection | Bridge rectifier |
| Protective circuit/component | Bridge rectifier |

Contact side

| | |
|---------------------------------------|---|
| Contact type | Single contact, 2-PDT |
| Contact material | AgNi |
| Maximum switching voltage | 250 V AC/DC (The separating plate PLC-ATP should be installed for voltages larger than 250 V (L1, L2, L3) between identical terminal blocks in adjacent modules. Potential bridging is then carried out with FBST 8-PLC... or ...FBST 500...) |
| Minimum switching voltage | 5 V AC/DC |
| Maximum inrush current | 15 A (300 ms) |
| Min. switching current | 10 mA |
| Limiting continuous current | 6 A |
| Interrupting rating (ohmic load) max. | 140 W (for 24 V DC) |
| | 85 W (for 48 V DC) |
| | 60 W (for 60 V DC) |
| | 44 W (for 110 V DC) |
| | 60 W (for 220 V DC) |
| | 1500 VA (for 250 V AC) |

General data

| | |
|---|--------------------------|
| Width | 14 mm |
| Height | 94 mm |
| Depth | 80 mm |
| Test voltage relay winding/relay contact | 4 kV AC (50 Hz, 1 min) |
| Test voltage PDT/PDT | 2.5 kV AC (50 Hz, 1 min) |
| Ambient temperature (operation) | -25 °C ... 55 °C |
| Ambient temperature (storage/transport) | -40 °C ... 85 °C |
| Operating mode | 100% operating factor |
| Service life mechanical | 3×10^7 cycles |
| Inflammability class in acc. with UL 94 (housing) | V0 |

PLC-RSC-230UC/21-21 Order No.: 2967099

<http://eshop.phoenixcontact.de/phoenix/treeViewClick.do?UID=2967099>

| | |
|------------------------|---|
| Standard designation | Standards/regulations |
| Standards/regulations | DIN EN 50178/DIN VDE 0160 (in relevant parts) |
| | DIN EN 61810 (in relevant parts) |
| Pollution degree | 2 |
| Surge voltage category | III |
| Mounting position | Any |
| Assembly instructions | In rows with zero spacing |

Connection data

| | |
|--|----------------------|
| Type of connection | Screw connection |
| Conductor cross section solid min. | 0.14 mm ² |
| Conductor cross section solid max. | 2.5 mm ² |
| Conductor cross section stranded min. | 0.14 mm ² |
| Conductor cross section stranded max. | 2.5 mm ² |
| Conductor cross section AWG/kcmil min. | 26 |
| Conductor cross section AWG/kcmil max | 14 |
| Stripping length | 8 mm |
| Screw thread | M3 |

Certificates / Approvals



Certification

CUL, CUL Listed, GL, GOST, UL, UL Listed

Accessories

| Item | Designation | Description |
|-----------------|------------------------------|--|
| Assembly | | |
| 0801762 | NS 35/ 7,5 CU UNPERF 2000MM | DIN rail, material: Copper, unperforated, height 7.5 mm, width 35 mm, length: 2 m |
| 0801733 | NS 35/ 7,5 PERF 2000MM | DIN rail, material: Steel, galvanized and passivated with a thick layer, perforated, height 7.5 mm, width 35 mm, length: 2 m |
| 0801681 | NS 35/ 7,5 UNPERF 2000MM | DIN rail, material: Steel, unperforated, height 7.5 mm, width 35 mm, length: 2 m |
| 0801377 | NS 35/ 7,5 V2A UNPERF 2000MM | DIN rail, Width: 35 mm, Height: 7.5 mm, Length: 2000 mm, Color: silver |

PLC-RSC-230UC/21-21 Order No.: 2967099

<http://eshop.phoenixcontact.de/phoenix/treeViewClick.do?UID=2967099>

| | | |
|---------|----------------------------|--|
| 1201756 | NS 35/15 AL UNPERF 2000MM | DIN rail, deep-drawn, high profile, unperforated, 1.5 mm thick, material: Aluminum, height 15 mm, width 35 mm, length 2 m |
| 1201895 | NS 35/15 CU UNPERF 2000MM | DIN rail, material: Copper, unperforated, 1.5 mm thick, height 15 mm, width 35 mm, length: 2 m |
| 1201730 | NS 35/15 PERF 2000MM | DIN rail, material: Steel, perforated, height 15 mm, width 35 mm, length: 2 m |
| 1201714 | NS 35/15 UNPERF 2000MM | DIN rail, material: Steel, unperforated, height 15 mm, width 35 mm, length: 2 m |
| 1201798 | NS 35/15-2,3 UNPERF 2000MM | DIN rail, material: Steel, unperforated, 2.3 mm thick, height 15 mm, width 35 mm, length: 2 m |
| 2966841 | PLC-ATP BK | Separating plate, 2 mm thick, required at the start and end of a PLC terminal strip. Furthermore, it is used for: visual separation of groups, safe isolation of different voltages of neighboring PLC relays in acc. with DIN VDE 0106-101, isolation |

Bridges

| | | |
|---------|-----------------|--|
| 2966812 | FBST 6-PLC BU | Single plug-in bridge, Length: 6 mm, Number of positions: 2, Color: blue |
| 2966825 | FBST 6-PLC GY | Single plug-in bridge, Length: 6 mm, Number of positions: 2, Color: gray |
| 2966236 | FBST 6-PLC RD | Single plug-in bridge, Length: 6 mm, Number of positions: 2, Color: red |
| 2967688 | FBST 8-PLC GY | Single plug-in bridge, Length: 8 mm, Number of positions: 2, Color: gray |
| 2967691 | FBST 14-PLC BK | Single plug-in bridge, Length: 14 mm, Number of positions: 2, Color: black |
| 2966692 | FBST 500-PLC BU | Continuous plug-in bridge, Length: 500 mm, Color: blue |
| 2966838 | FBST 500-PLC GY | Continuous plug-in bridge, Length: 500 mm, Color: gray |
| 2966786 | FBST 500-PLC RD | Continuous plug-in bridge, Length: 500 mm, Color: red |

General

| | | |
|---------|------------|---|
| 2966508 | PLC-ESK GY | Power terminal block, for the input of up to four potentials, for mounting on NS 35/7.5 |
|---------|------------|---|

Marking

| | | |
|---------|------------------------|---|
| 1053001 | ZB 10:UNBEDRUCKT | Zack strip, unprinted: 10-section, for individual labeling with M-PEN, ZB-T or CMS system, sufficient for 100 terminal blocks, for a terminal width of 10.2 mm, color: White |
| 1053014 | ZB10,LGS:FORTL.ZAHLEN | Zack strip, 10-section, printed horizontally: with the numbers, 1-10, 11-20 etc. up to 991-1000, color: white |
| 5060883 | ZB10/WH-100:UNBEDRUCKT | Zack strip, unprinted: 10-section, for individual labeling with M-PEN, ZB-T or CMS system, large batch, sufficient for labeling 1000 terminal blocks, for a terminal width of 10.2 mm, color: White |

PLC-RSC-230UC/21-21 Order No.: 2967099

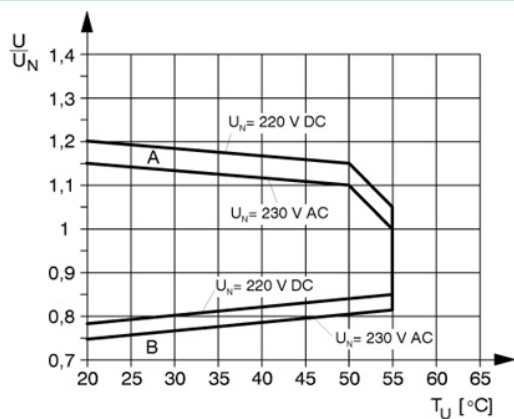
<http://eshop.phoenixcontact.de/phoenix/treeViewClick.do?UID=2967099>

Tools

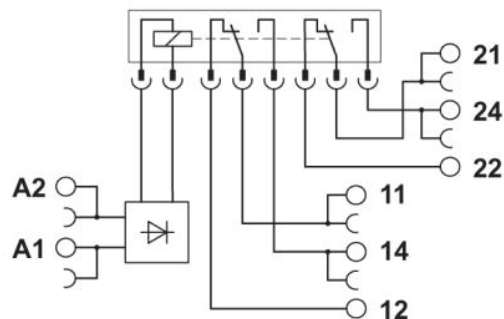
| | | |
|---------|---------------|---|
| 1204517 | SZF 1-0,6X3,5 | Screwdriver, blade: 0.6 x 3.5 x 100 mm, length 180 mm |
|---------|---------------|---|

Diagrams/Drawings

Diagram



Circuit diagram



PLC-RSC-230UC/21-21 Order No.: 2967099

<http://eshop.phoenixcontact.de/phoenix/treeViewClick.do?UID=2967099>

Address

PHOENIX CONTACT Deutschland GmbH
Flachsmarktstr. 8
32825 Blomberg, Germany
Phone +49 5235 3 12000
Fax +49 5235 3 41200
<http://www.phoenixcontact.de>



© 2010 Phoenix Contact
Technical modifications reserved;