

Excellent Integrated System Limited

Stocking Distributor

Click to view price, real time Inventory, Delivery & Lifecycle Information:

[Hammond Manufacturing](#)
[1591F2BK-10](#)

For any questions, you can email us directly:

sales@integrated-circuit.com



Molded in the same high quality, high strength, fire retardant ABS plastic (black only) as our 1591 series (Catalog SC-5B).

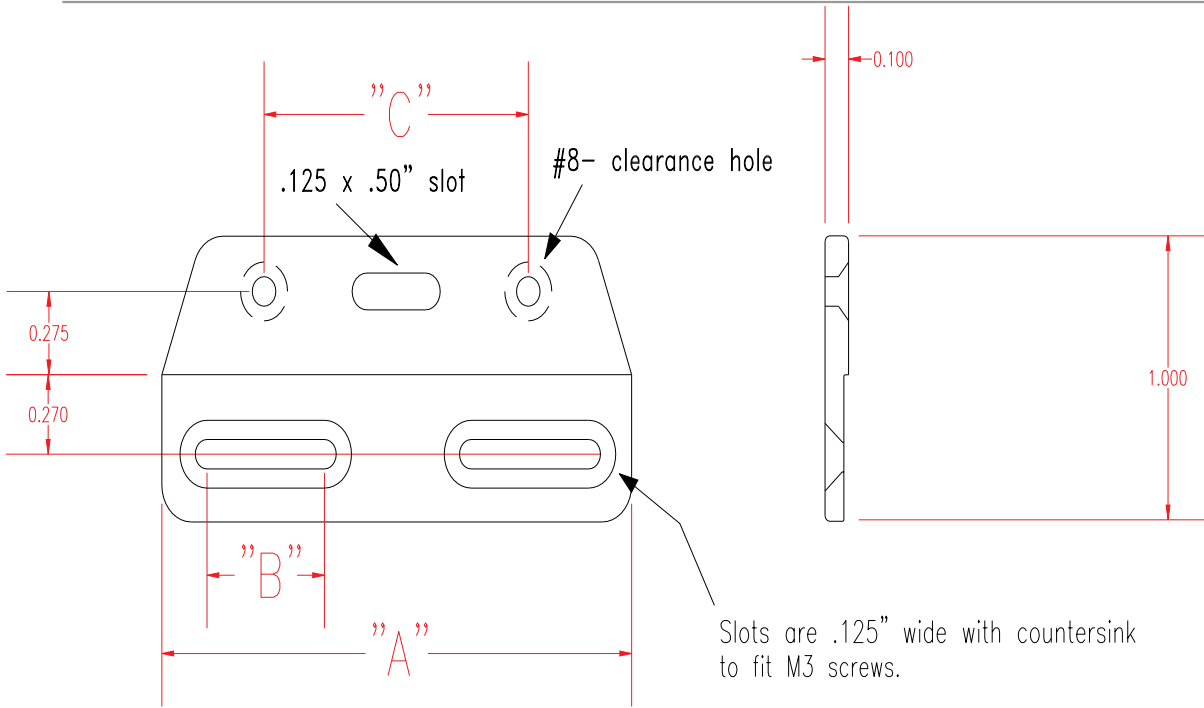
Used with Enclosure	Box mounted flange Part Number
1591L	1591F1BK-10
1591A	1591F1BK-10
1591B	1591F1BK-10
1591C	1591F1BK-10
1591D	1591F2BK-10
1591E	1591F3BK-10
1591G	1591F2BK-10
1591H	1591F1BK-10
1591S	1591F2BK-10
1591T	1591F2BK-10
1591U	1591F3BK-10
1591V	1591F3BK-10

SOLD IN PACKS OF 10

NOTE: When gluing flanges to ABS plastic boxes we recommend standard ABS cement. To glue flanges to our styrene enclosures we recommend a faster setting glue like Loctite's "Quick Tite"

Used with Enclosure	Lid mounted flange Part Number
1591L	1591F1BK-10
1591A	1591F1BK-10
1591B	1591F1BK-10
1591C	1591F2BK-10
1591D	1591F2BK-10
1591E	1591F3BK-10
1591G	1591F3BK-10
1591H	1591F2BK-10
1591S	1591F3BK-10
1591T	1591F2BK-10
1591U	1591F3BK-10
1591V	1591F3BK-10

SOLD IN PACKS OF 10



Flanges are available Bulk packed "-BULK"
Flanges are available in packages of 10 pieces "-10"

Part Number	Dimensions (inches)		
	A	B	C
1591F1	2.2	.25	1.5
1591F2	3.0	.26	2.0
1591F3	4.5	.60	3.25

Stocked Colour is Black, Standard Hammond Colours available on special order.
Material is FRABS Plastic.