

Excellent Integrated System Limited

Stocking Distributor

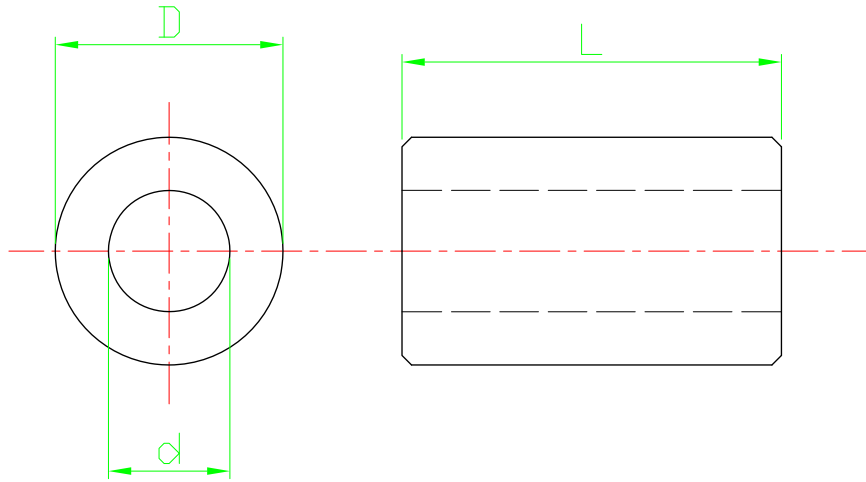
Click to view price, real time Inventory, Delivery & Lifecycle Information:

[ASSMANN WSW Components](#)
[V6254A](#)

For any questions, you can email us directly:


sales@integrated-circuit.com

RoHS compliant



For M3-screws
PU=100 pcs

Option	Dimensions		
	L	D	d
A	5	6	3.2
B	8	6	3.2
C	10	6	3.2
D	12	6	3.2
E	15	6	3.2
G	20	6	3.2

Scale	1:1					Date	Name	Customer-No.
TOLERANCE						Drawn	20.08.2009	Dean
X.	±X					Approved	10.03.2010	Andy
X.X	±X							
X.XX	±X							
DIM	TOL	②	Modify drawing layout	10.03.2010	Dean			
X.°	±X°							
X.X°	±X°	①	Drawn	20.08.2009	Dean			
Angle	TOL	Id.	Modification	Date	Name			

Customer-No.	
ASSMANN WSW-No. V6254x	
Drawing-No.	ASS 0918 HS rev02
Replace	Sheet

1

2

3

4

5

6

7