

## Excellent Integrated System Limited

Stocking Distributor

Click to view price, real time Inventory, Delivery & Lifecycle Information:

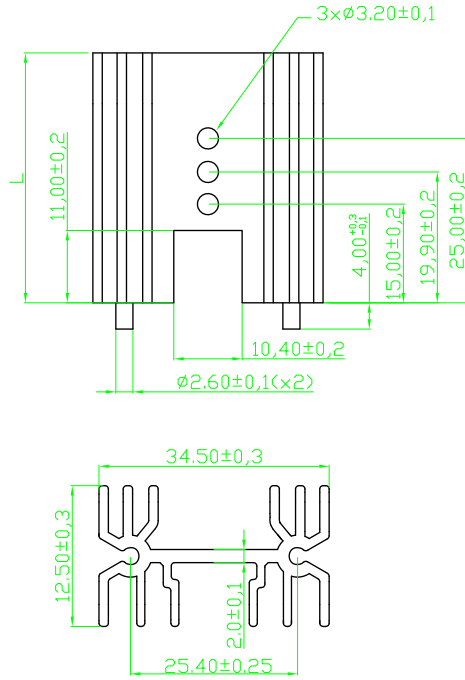
[ASSMANN WSW Components](#)

[V8813X](#)

For any questions, you can email us directly:

[sales@integrated-circuit.com](mailto:sales@integrated-circuit.com)

RoHS compliant



Notes  
 Material : AL 6063  
 Finished : Black Anodized  
 Pin : Tin Plated

Option	L	Thermal resistance(K/W)
V8813W	25	6.5
V8813X	38	5
V8813Y	50	4

Scale	1:1					Date	Name	Customer-No.
TOLERANCE						Drawn	11.08.2009	Dean
						Approved	08.03.2010	Andy
UNIT	±x							ASSMANN WSW-No. V8813x
DIM	TOL	②	Modify drawing layout	08.03.2010	Dean			Drawing-No. ASS 0870 HS
X,°	±X°	①	Drawn	11.08.2009	Dean			rev02
X,X°	±X°							Replace
Angle	TOL	Id.	Modification	Date	Name			

1 2 3 4 5 6 7