

Excellent Integrated System Limited

Stocking Distributor

Click to view price, real time Inventory, Delivery & Lifecycle Information:

[ASSMANN WSW Components](#)

[V6560X](#)

For any questions, you can email us directly:

sales@integrated-circuit.com

1

2

3

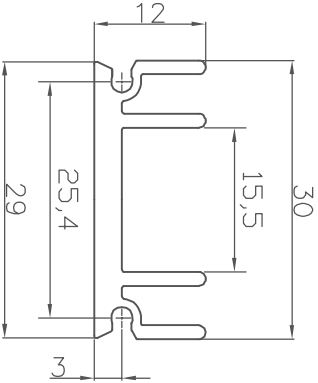
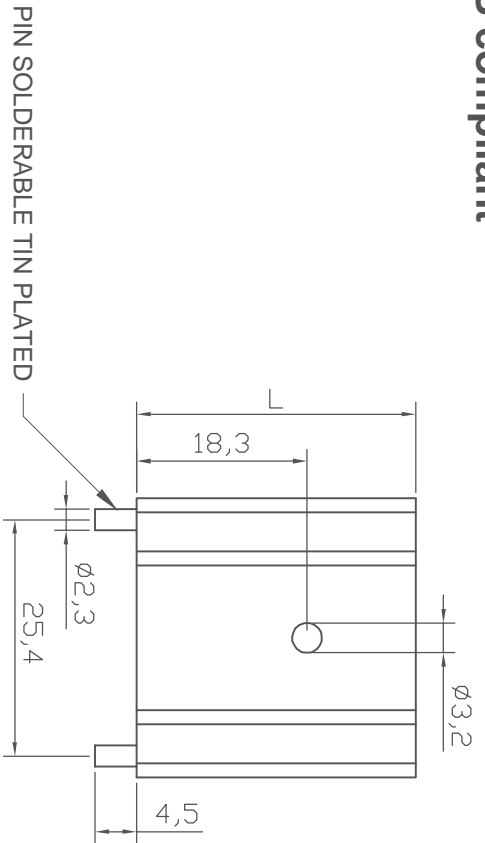
4

5

6

7

RoHS compliant



Material: ALUMINIUM 6063 T5
Finisher: Black anodize

P/N	L	Thermal resistance(K/W)
V6560W	25MM	10
V6560X	37.5MM	8
V6560Y	50MM	7
V6560W3	20MM	
V6560X2	35MM	
V6560W5	21MM	

Scale	1:1										
TOLERANCE											
X.											
X.X											
X.XX				?	Modify drawing layout	10.03.2010	Alex				
DIM	TOL			?	Update	11.08.2009	Dean	Drawn	17.11.2005	Storb	
X.°				?	Drawn	17.11.2005	Storb	Approved	10.03.2010	Andy	
Angle	TOL			Id.	Modification						

Customer-No.

ASSMANN WSW-No.

V6560X

Drawing-No.

ASS 0595 HS

rev03

Replace

Sheet

1

2

3

4

5

6

7

ASSMANN
WSW/ components