

Excellent Integrated System Limited

Stocking Distributor

Click to view price, real time Inventory, Delivery & Lifecycle Information:

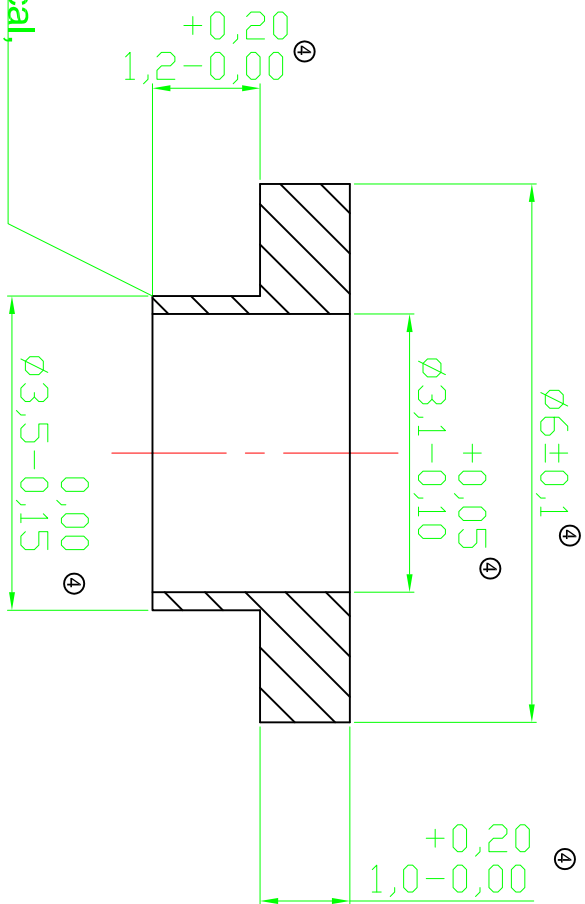
[ASSMANN WSW Components](#)
[V5359](#)

For any questions, you can email us directly:

sales@integrated-circuit.com

A	B	C	D	E	F	G	H
---	---	---	---	---	---	---	---

1	2	3	4	5	6	7
---	---	---	---	---	---	---



burr at dimension 1,2mm is uncritical,
no influence

RoHS compliant
unit:mm

Notes
 Material: SR25
 Dielectric strength: 380kV/cm
 Heat resistance: 215°C
 Tensile strength: 80N/mm

Id.	Modification	Date	Name	Date	Name	Customer-No.
④	Add. tolerance	28.02.2012	N.Schulz	Drawn	23.06.2005	ASSMANN WSW-No. V5359
③	Modify drawing layout	10.03.2010	Dean	Approved	28.02.2012	
②	Update	20.08.2009	Dean			
①	Drawn	23.06.2005	Storb			ASSMANN WSW- ASS 0416 HS
						Drawing-No. rev04
						Replace ASS 0416 HS
						Sheet



1	2	3	4	5	6	7
---	---	---	---	---	---	---