

Excellent Integrated System Limited

Stocking Distributor

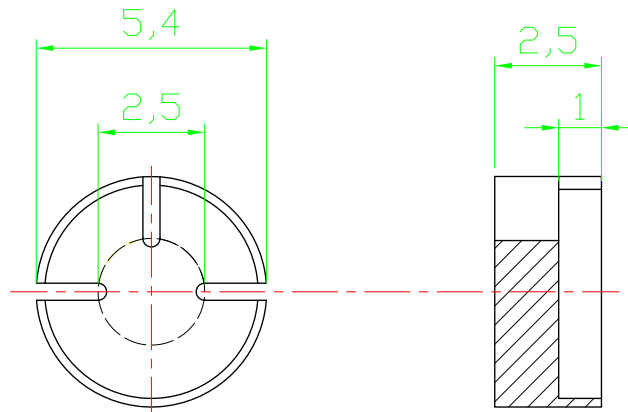
Click to view price, real time Inventory, Delivery & Lifecycle Information:


[ASSMANN WSW Components](#)
[V4538R](#)

For any questions, you can email us directly:

sales@integrated-circuit.com

RoHS compliant



Scale	1:1					Date	Name	Customer-No.
TOLERANCE						Drawn	20.08.2009	Dean
X.	±X					Approved	10.03.2010	Andy
X.X	±X							
X.XX	±X							
DIM	TOL	②	Modify drawing layout	10.03.2010	Alex			
X.°	±X°	①	Drawn	20.08.2009	Dean			
X.X°	±X°					Drawing-No.		ASS 0921 HS
Angle	TOL	Id.	Modification	Date	Name	Replace		rev02
								Sheet

1

2

3

4

5

6

7