

Excellent Integrated System Limited

Stocking Distributor

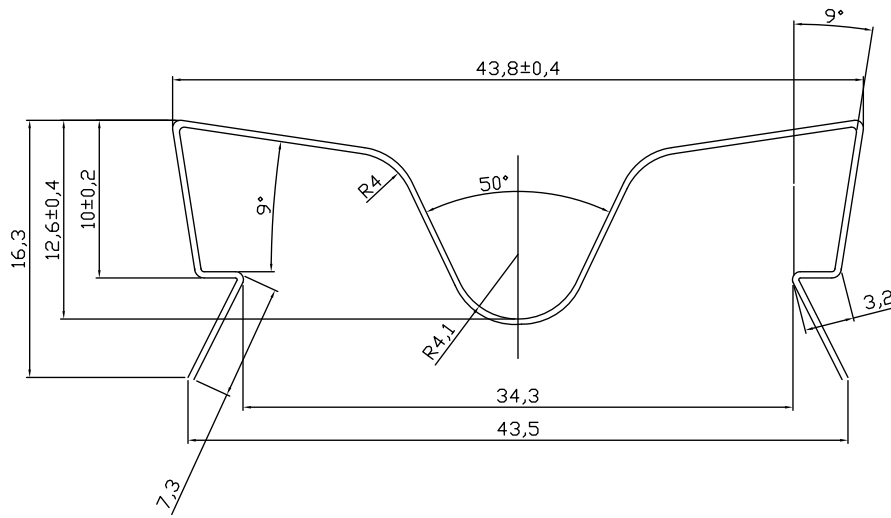
Click to view price, real time Inventory, Delivery & Lifecycle Information:

[ASSMANN WSW Components](#)

[V06HK-T](#)

For any questions, you can email us directly:

sales@integrated-circuit.com



Material :SUS 301

RoHS compliant

Scale	1:1					Date	Name	Customer-No.
TOLERANCE					Drawn	16.12.2009	Rale	ASSMANN WSW-No. V06HK-T
UNIT	±0.3				Approved	16.12.2009	Andy	
DIM	TOL						Drawing-No.	
X.°	±3°						ASS 0944 HS	rev01
X.X°	±X°	①	Drawn	16.12.2009	Rale	Replace		Sheet
Angle	TOL	Id.	Modification	Date	Name			

1

2

3

4

5

6

7