



Excellent Integrated System Limited

Stocking Distributor

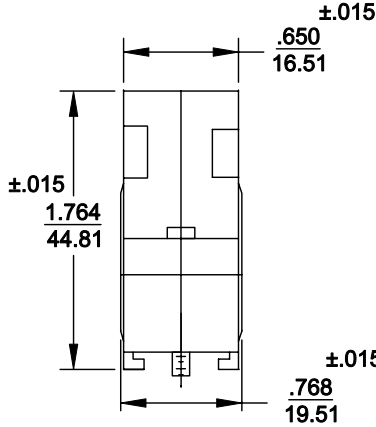
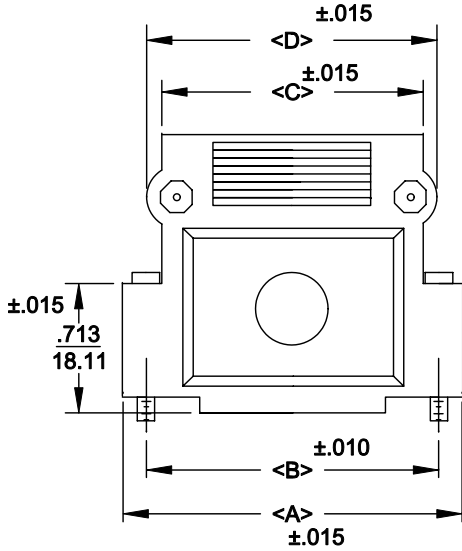
Click to view price, real time Inventory, Delivery & Lifecycle Information:

[NorComp](#)
[976-009-020R121](#)

For any questions, you can email us directly:
sales@integrated-circuit.com

DESCRIPTION: **976 SERIES**

BACKSHELL KIT INCLUDES:
 (2) BACKSHELL HALVES
 (2) 4-40 MATING SCREWS
 (2) HOUSING SCREWS
 (2) HOUSING NUTS



976-XXX-XXXRXX1

SERIES _____
POSITIONS _____
 009 _____
 015 _____
 025 _____
 037 _____

MATERIAL _____
 010 = PLASTIC
 020 = METALIZED PLASTIC

COLOR: _____
 03 = GREY
 12 = NICKEL OVER COPPER

PUT-UPS _____
 1 = KIT

POS.	A	B	C	D
9	1.319	.984	.758	.946
	33.50	24.99	19.25	24.03
15	1.622	1.312	1.102	1.289
	41.20	33.32	27.99	32.74
25	2.157	1.852	1.642	1.874
	54.79	47.04	41.71	47.60
37	2.815	2.500	2.283	2.470
	71.50	63.50	57.99	62.74

METALIZED PLASTIC:
MATERIALS: ABS HIGH TEMPERATURE PLASTIC 94HB
PLATING: CHROME - ELECTROPLATED
PLASTIC:
MATERIALS: ABS HIGH TEMPERATURE PLASTIC 94HB - GREY
RoHS COMPLIANT

	THESE DRAWINGS AND SPECIFICATIONS ARE THE PROPERTY OF NorComp AND SHALL NOT BE REPRODUCED, COPIED OR USED AS THE BASIS FOR THE MANUFACTURE OR SALE OF APPARATUS WITHOUT WRITTEN PERMISSION.	DRAWN: PAM JENKINS	DATE: 7-28-05
		CHECKED:	DATE:
<h1>NorComp</h1>		SCALE	SHEET OF
		DWG NO. 976-XXX-0X0RXX1	