

## Excellent Integrated System Limited

Stocking Distributor

Click to view price, real time Inventory, Delivery & Lifecycle Information:

[Taoglas Limited](#)  
[EMPCB.SMAFSTJ.B.HT](#)

For any questions, you can email us directly:

[sales@integrated-circuit.com](mailto:sales@integrated-circuit.com)

## SPECIFICATION

Part No.	: <b>EMPCB.SMAFSTJ.B.HT</b>
Product Name	: SMA (F) Jack For Edge PCB Mount
Feature	: SMA(F) Jack Straight Edge Mount PCB Jack Frequency Range: 12.4GHz Finish: Gold Leg Length: 3.8mm Total Length: 13.3mm RoHS Compliant





## 1. Introduction

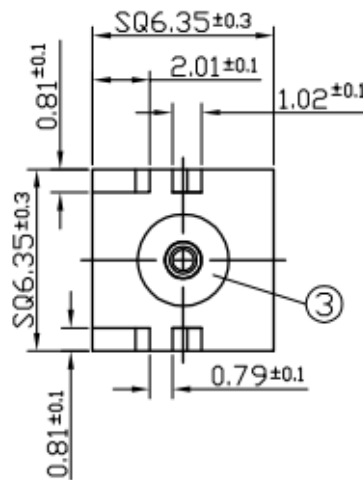
The EMPCB.SMAFSTJ.B.HT connector was designed to be mounted on a PCB edge. The edge mount configuration allows the connector to be easily slotted onto a PCB board; the maximum thickness of PCB that the connector can be used with is 0.8mm. The connector pin is directly soldered onto pads on the PCB. The connector is a standard SMA (F) Jack. The SMA connector is the most popular type connector for RF applications. Taoglas connectors are all RoHS compliant.

## 2. Specification

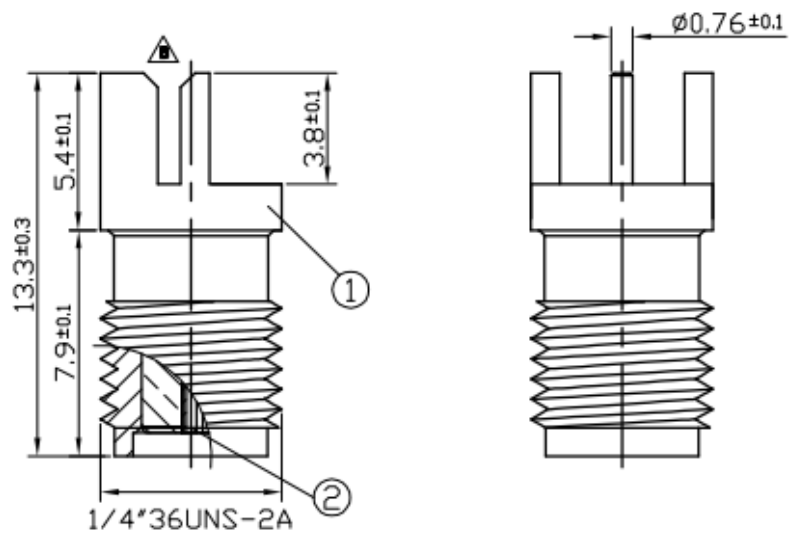
ELECTRICAL	
Impedance	50Ω
Frequency Range	0~12.4 GHz
Working Voltage	Max. 335 Vrms
Insulation Resistance	Min. 5000M ohms
MECHANICAL	
Connector Dimension	6.35 X 6.35 X13.3 mm
Max. Thickness PCB acceptable	0.8 mm
Connector Pin Diameter	0.76 mm
Connector Type	SMA (F) to PCB Edge Mounted
ENVIRONMENTAL	
RoHS compliant	

### 3. Connector Drawing

Front View



Side View



	Name	Material	Finish	QTY
1	Body	Brass	Gold	1
2	Pin	Brass	Gold	1
3	Insulator	Teflon	White	1