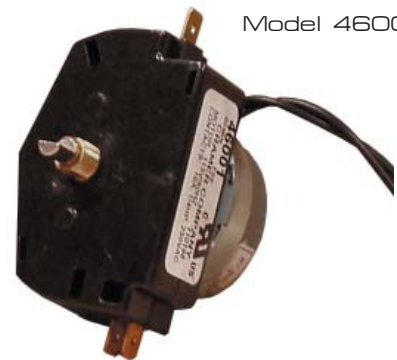


46000 Series Motorized Interval Time Switch

- ☞ Lifecycles 10,000 Cycles
- ☞ Permanent magnet motor drive for fast starts & stops
- ☞ Terminals 1/4" quick-disconnect
- ☞ Motor ratings: 115V, 3.5 Watts
- ☞ Operating Temperature up to 176° F (80° C)
- ☞ Durable polycarbonate enclosure
- ☞ UL & cUL Approved



Model 46001



Applications:



Pizza Ovens



Steam Cookers



Rising Ovens

46000 Series Motorized Interval Timer Switch



Pizza Ovens

Steam Cookers



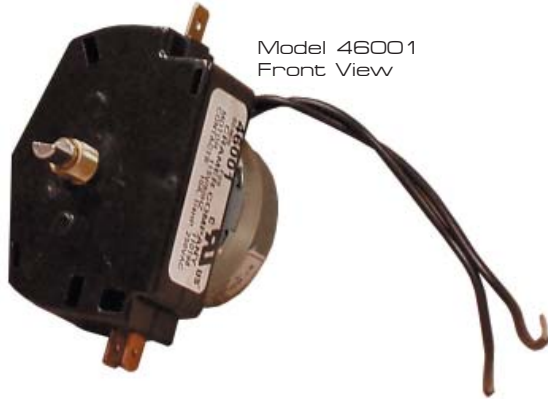
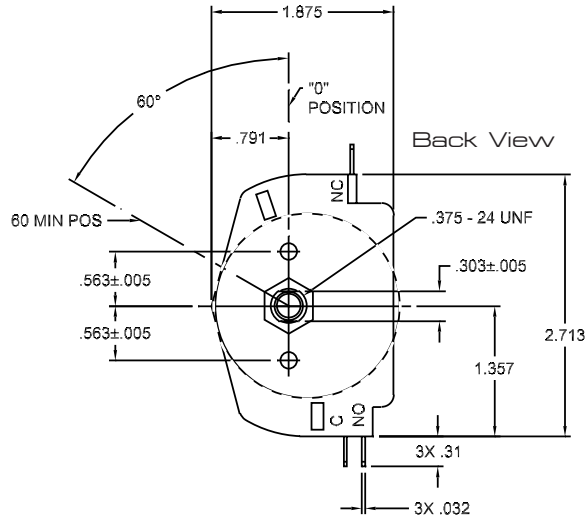
Rising Ovens



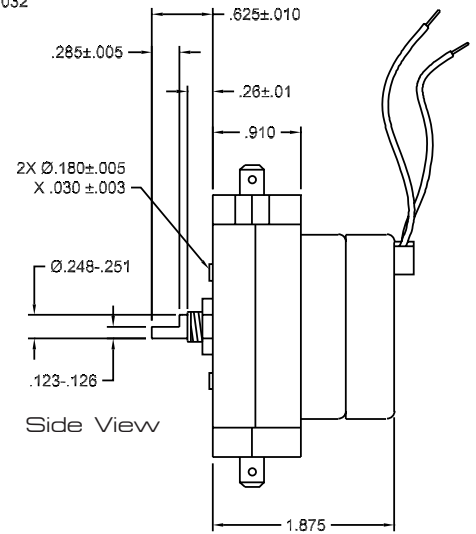
Dimensions



Model 46001
Back View



Model 46001
Front View



Specifications

Part #	46001
Time Registration	60 Minutes for 300° Rotation
Overall Dimensions	1.875 W x 2.713" H x 1.875" D
Operating Temperature	0°F to 176°F (-18°C to 80°C)
Switch Configuration	SPDT
Switch Ratings	10A, 1/4 Hp, 250 VAC
Contact Terminals	1/4" Quick-Disconnect
Life Cycle	10,000 Cycles
Motor Ratings	115V, 60Hz, 3.5W
Agency Approval	UL, cUL



www.mhrhodes-cramer.com



M.H. Rhodes/Cramer Company
105 Nutmeg Road South • South Windsor, CT 06074 USA
Toll Free: 877.684.6464 • PH: 860.291.8402 • FX: 860.620.0897