

## Excellent Integrated System Limited

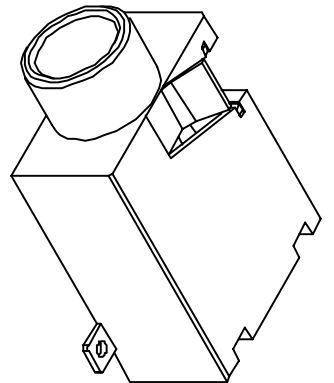
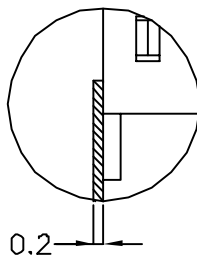
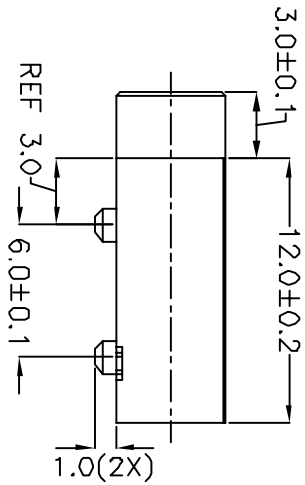
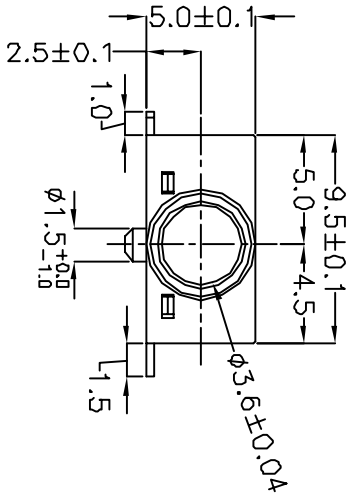
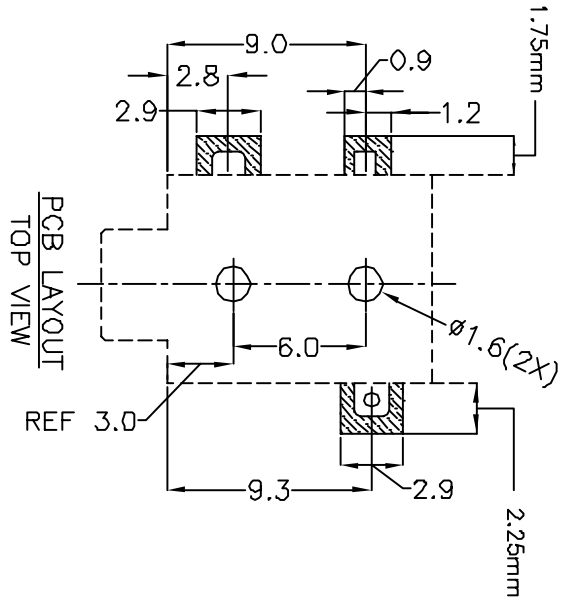
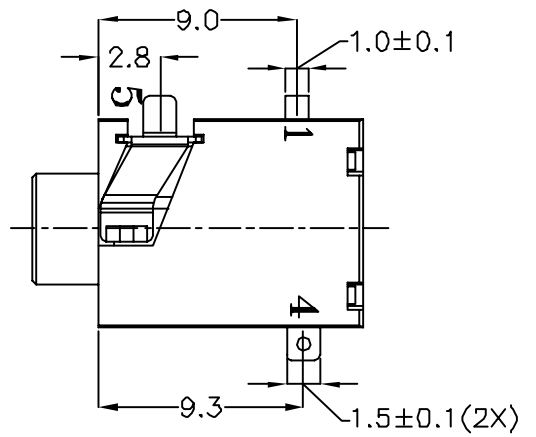
Stocking Distributor

Click to view price, real time Inventory, Delivery & Lifecycle Information:

[CUI Inc.](#)  
[SJ-3513SMT](#)

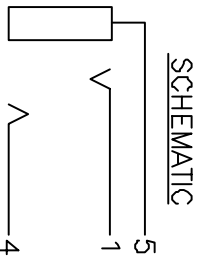
For any questions, you can email us directly:

[sales@integrated-circuit.com](mailto:sales@integrated-circuit.com)



NO.	PART NAME	MATERIAL	PLATING	REMARKS
1	HOUSING	POLYAMIDE		UL94V0
2	BOTTOM COVER	POLYAMIDE		UL94V0
3	RING TERMINAL	CU-TI	GOLD FLASH	25 MICRONS
4	TIP TERMINAL	CU-TI	GOLD FLASH	25 MICRONS
5	SLEEVE (EARTH) TERMINAL	PBS	GOLD FLASH	30 MICRONS

- SPECIFICATIONS:
1. RATED VOLTAGE-16 VDC
  2. RATED CURRENT-300 mA
  3. CONTACT RESISTANCE-100 MOHMS OR LESS UNDER ALL CONDITIONS, INCLUDING AFTER LIFE TESTING.
  4. INSULATION RESISTANCE-100 MOHMS OR GREATER AT 500 VDC.
  5. DIELECTRIC WITHSTAND VOLTAGE-500 VAC RMS FOR 1 MINUTE.



PC FILE NAME: SJ-3513-SMT.DWG

COPYRIGHT 1999 BY CUI INC.

9615 SW Allen, Suite 103  
 Beaverton, OR 97005  
 Phone: (503) 643-4899  
 800-275-4899  
 Fax: (503) 372-1266  
 Website: www.cui.com



TITLE: 3.5mm SURFACE MOUNT AUDIO JACK-STEREO

PART NO. SJ-3513-SMT UNITS: Millimeters

SCALE: 3X  
 DRAWN BY: Todd R. White  
 APPROVED BY: