

Excellent Integrated System Limited

Stocking Distributor

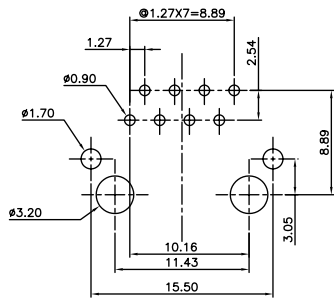
Click to view price, real time Inventory, Delivery & Lifecycle Information:

[Pulse Electronics Corporation](#)
[E5908-LEJ744-L](#)

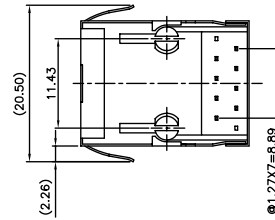
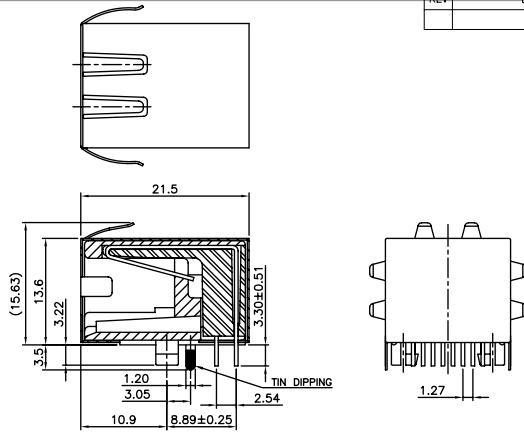
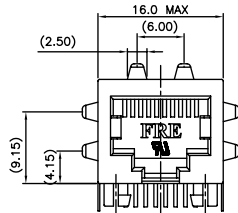
For any questions, you can email us directly:

sales@integrated-circuit.com

REVISION RECORD		
REV	DESCRIPTION	DRFT



PC BOARD LAYOUT T=1.60mm
COMPONENT SIDE SHOWN
TOLERANCES±0.05mm



NOTES:

ELECTRICAL:

- VOLTAGE RATING : 125 VAC RMS MIN.
- CURRENT RATING : 1.5 AMP MIN.
- CONTACT RESISTANCE : 45 MILLIOHMS MAX.
- INSULATION RESISTANCE: 1000 MEGOHMS MIN @ 500 VDC.
- DIELECTRIC STRENGTH : 1000 VDC RMS 60Hz, 1MIN.

MECHANICAL:

- HOUSING MATERIAL : GLASS FIBER FILLED NYLON. UL94V-0\BLACK.
- CONTACT MATERIAL : PHOSPHOR BRONZE t=0.35mm
- SHIELD MATERIAL : COPPER ALLOY WITH NICKEL PLATING.
- PLATING : GOLD PLATING OVER NICKEL.
- OPERATING LIFE : 750 CYCLES MIN.
- PCB RETENTION PRE-SOLDER : 1 LB MIN.
- PCB RETENTION POST-SOLDER: 10 LBS MIN.

ENVIRONMENTAL:

- STORAGE : -40°C TO +85°C.
- OPERATION: -40°C TO +85°C.
- WAVE SOLDER TEMPERATURE : 255°C~265°C (5~10 SECONDS).

MATES WITH MODULAR PLUG CONFORMING TO

FCC PART 68, SUBPART F.

CUL FILE NO. E163191

E5908-LEJ744-L	30u"
PART NO.	Au PLATING

DETACHED LISTS	MM (INCH)	RoHS Compliant		TITLE CONTACT 20.57 PCB JACK 8P		
	TOLERANCES EXCEPT AS NOTED					
	MM	±	DRAWING NO. CE5908-LEJ74X-L			
	.0 ± 0.25	±				
.00 ± 0.20	±					
0.00 ± 0.10	±	DATE : 09/17/2012		/PART NO. E5908-LEJ744-L		
ANGLES ± 1°		DFTO : ELLA		SIZE A3		
THIRD ANGLE PROJECTION		SCALE : 2:1		REV 0		
DO NOT SCALE DRAWING				SHEET 1 OF 1		