

Excellent Integrated System Limited

Stocking Distributor

Click to view price, real time Inventory, Delivery & Lifecycle Information:

[Conec](#)

[165X02689X](#)

For any questions, you can email us directly:

sales@integrated-circuit.com

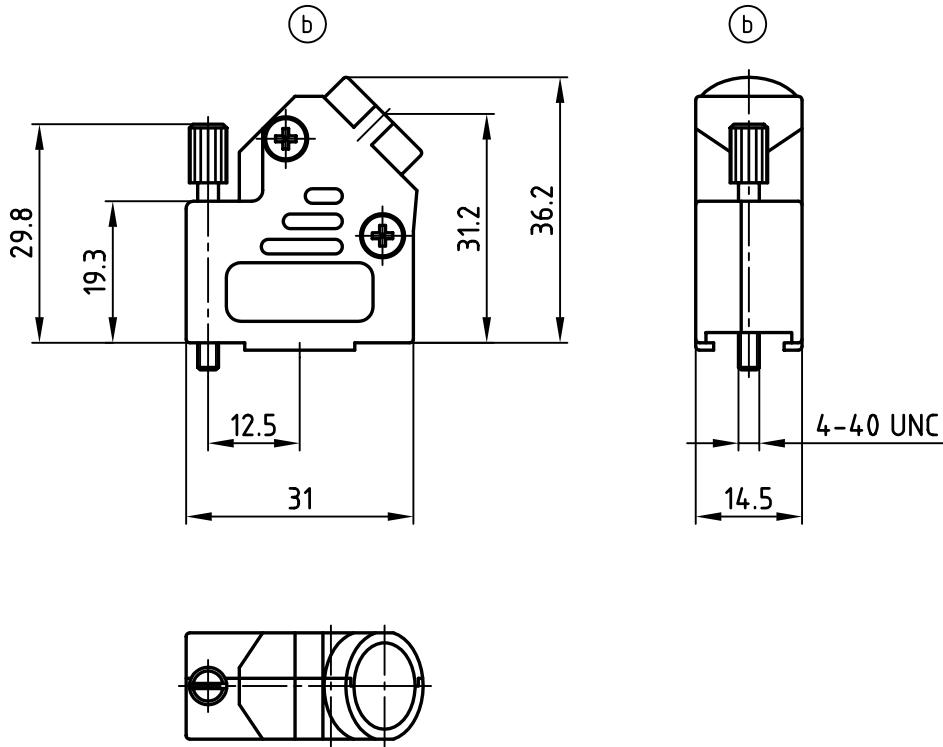
4

3

2

1

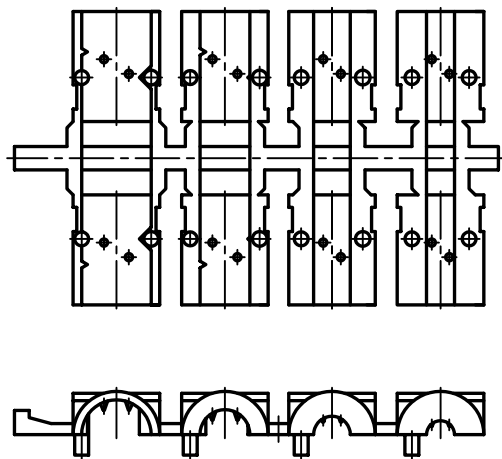
used for: D-SUB



Part No. Bulk package	Part No. Single package
165X02689X	165X02689XE

Directive 2002/95/EC
"RoHS"
Compliant

(b) Strain relief



THIS DRAWING MAY NOT BE COPIED OR REPRODUCED IN ANY WAY, AND MAY NOT BE PASSED ON TO A THIRD PARTY WITHOUT WRITTEN PERMISSION.
OWNERSHIP AND COPYRIGHT OF CONEC GmbH
DO NOT ALTER CAD DRAWING BY HAND

tolerance		scale: 1:1	
material:		title:	
2000	date	name	
drawn	02.10.	Parei	
appd.	02.10.	Resonnek	
norm		dwg no:	
2 x c	Ä 2754	23.07.2007	Lehmen
3 x b	Ä 2480	06.04.2006	Lehmen
a	Origin		
rev.	description	date	name



material:		title:	
		D-SUB METALHOOD DVZK Serie 9pos.	
dwg no:		AutoCAD 2006	DIN-A
16K1A058A		4	
product no:		sh: 1/1	
(c) SEE TABLE			

A

A

B

B

C

C

D

D

E

E

F

F