

Excellent Integrated System Limited

Stocking Distributor

Click to view price, real time Inventory, Delivery & Lifecycle Information:

[Honeywell Sensing and Productivity Solutions
2TP7-70](#)

For any questions, you can email us directly:

sales@integrated-circuit.com

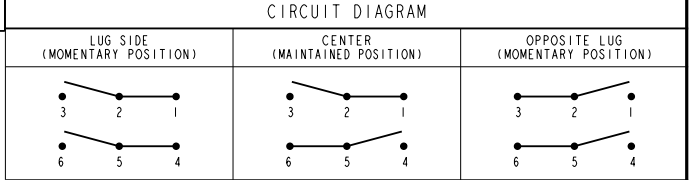
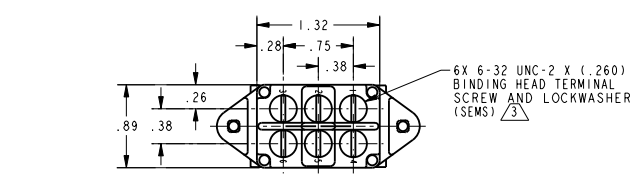
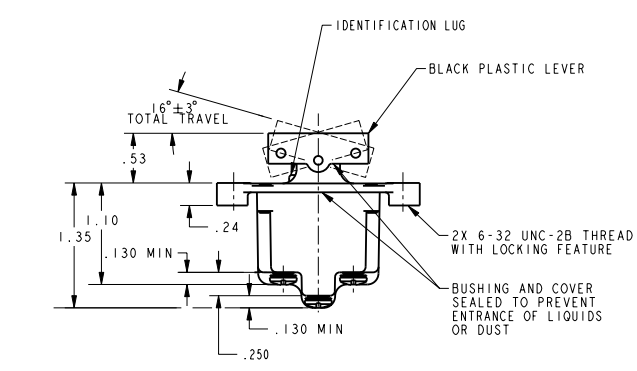
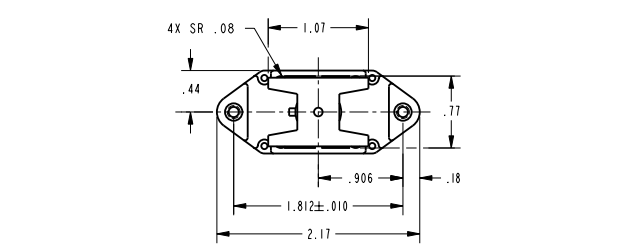
PTC/CAD 2D
 DRAWN
 TSM 24NOV99
 CHECK SAV
 24NOV99
 CHECK
 REVISIONS
 A 094415
 SW 24NOV99
 CHECK
 3
 ISSUE
 M
 CATALOG LISTING
 2TP7-70
 PAGE 1 OF 1
 RELEASE NO. PR-19477
 REPLACES

MICROSWITCH
a Honeywell Division
FED. MFG. CODE 91929

SWITCH - TOGGLE
ABOVE PANEL MOUNT

CATALOG LISTING
2TP7-70

THIS DRAWING COVERS A PROPRIETARY ITEM AND IS THE PROPERTY OF MICRO SWITCH, A DIVISION OF HONEYWELL. THIS DRAWING IS NOT TO BE COPIED OR USED WITHOUT THE APPROVAL OF MICRO SWITCH



ELECTRICAL DATA
 LI92
 10A 125, 250, 277 VAC
 1/4HP 125 VAC,
 1/2HP 250, 277 VAC
 3A 125 VAC "L"

- NOTES
- SWITCH WILL WITHSTAND TEMPERATURE OF 160°F CONTINUOUSLY AT FULL RATED LOAD
 - MICRO SWITCH CATALOG LISTING MARKED ON SIDE OF SWITCH
 - SCREWS FURNISHED UNASSEMBLED

ELECTRICAL DATA		MILITARY RATING (AMPS)							
		RESISTIVE LOAD		AC VOLTS		LAMP LOAD		INDUCTIVE LOAD	
DC VOLTS		125	250	125	250	28 VDC	125 VAC	28 VDC	125 VAC
28									
18	.75	.5	.11	6	5	2	10	8	

THIRD ANGLE PROJECTION	
SCALE	FULL
DO NOT SCALE PRINT	
UNLESS OTHERWISE SPECIFIED TOLERANCES ARE	
ONE PLACE	(.0) ±.030
TWO PLACE	(.00) ±.015
THREE PLACE	(.000) ±.005
ANGLES	±
WEIGHT	.14 LB EST

ANSI Y14.5M-1982 APPLIES