

Excellent Integrated System Limited

Stocking Distributor

Click to view price, real time Inventory, Delivery & Lifecycle Information:

[Honeywell Sensing and Productivity Solutions](#)
[10PA11](#)

For any questions, you can email us directly:

sales@integrated-circuit.com

MICRO SWITCH
 a Honeywell Division

FED. MFG. CODE 91929

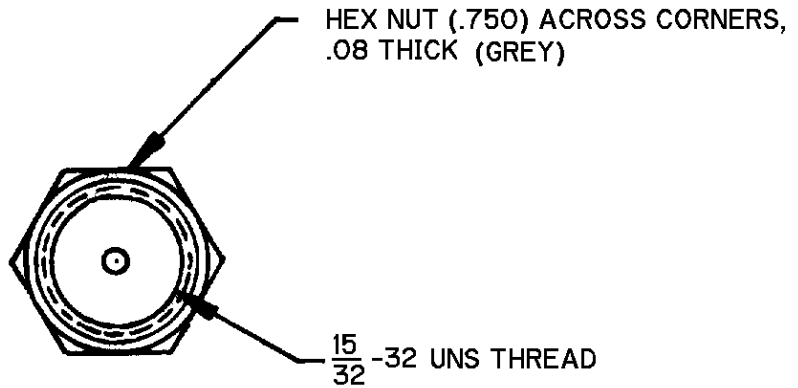
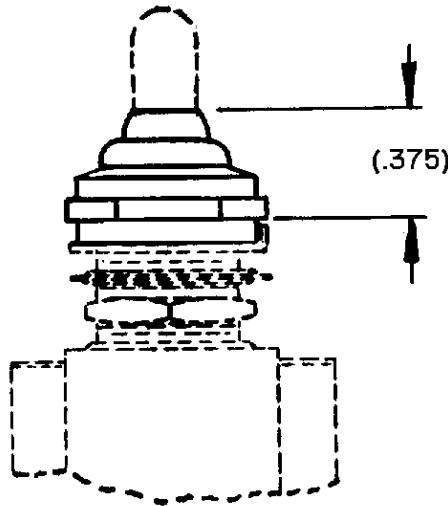
**TOGGLE SWITCH
 SEAL BOOT**

CATALOG LISTING

10PA11

THIS DRAWING COVERS A PROPRIETARY ITEM AND IS THE PROPERTY OF MICRO SWITCH, A DIVISION OF HONEYWELL. THIS DRAWING IS NOT TO BE COPIED OR USED WITHOUT THE APPROVAL OF MICRO SWITCH.

ISSUE	1	M	PAGE 1 OF 1	RELEASE NO. PR-23427	REPLACES	CATALOG LISTING		10PA11	
						REVISIONS			
						CHECK		CHECK	
						CHECK		CHECK	
				28 APR 98		CHECK		CHECK	
				J A F		CHECK		CHECK	
				28 APR 98		CHECK		CHECK	
FORMTEK		DRAWN				CHECK		CHECK	



THIRD ANGLE PROJECTION	
SCALE NONE	DO NOT SCALE PRINT
UNLESS OTHERWISE SPECIFIED TOLERANCES ARE	
ONE PLACE (.0)	±.030
TWO PLACE (.00)	±.015
THREE PLACE (.000)	±.005
ANGLES	±
WEIGHT	