

Excellent Integrated System Limited

Stocking Distributor

Click to view price, real time Inventory, Delivery & Lifecycle Information:

[Honeywell Sensing and Productivity Solutions
101HS185](#)

For any questions, you can email us directly:

sales@integrated-circuit.com



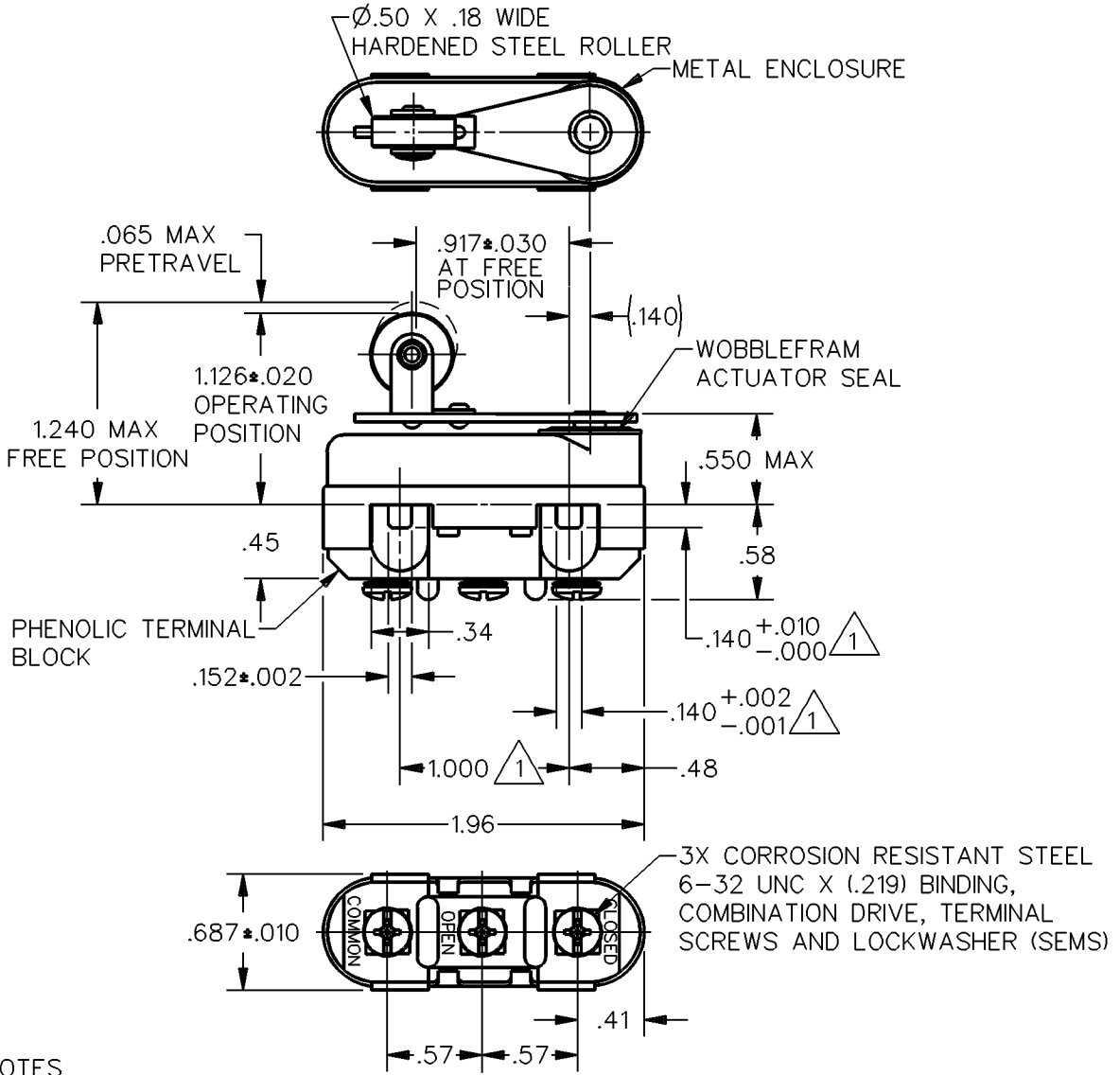
MICRO SWITCH
 a Honeywell Division

FED. MFG. CODE 91929

SWITCH-BASIC

CATALOG LISTING
101HS185

101HS185
 PAGE 1 OF 1
 M
 DRAWING NUMBER
 4
 ISSUE
 REVISIONS
 A CO-75625
 S A V
 15 JULY 93
 B CO-76375
 MAM
 3 SEP 93
 C CO-94122
 TSM
 17 MAR 99
 FORMTEK
 DRAWN
 T S M
 27 JUN 91
 CHECK D A W
 16 JUL 91
 CHECK N W J
 18 JUL 91
 CHECK A V
 15 JULY 93
 CHECK S A V
 15 JULY 93
 CHECK MAM
 3 SEP 93
 CHECK C CO-94122
 TSM
 17 MAR 99
 RELEASE NO. PR-19328
 REPLACES



- NOTES
- $\triangle 1$ MOUNTING HOLES WILL ACCEPT PINS OR SCREWS OF $\varnothing .139$ MAX ON $1.000 \pm .002$ CENTERS
 - 2 - TRAVEL CHARACTERISTICS ARE REFERENCED FROM THE UPPER SURFACE OF MOUNTING HOLES WITH THIS CONSTRUCTION
 - 3 - FOR USE IN AMBIENT TEMPERATURE RANGE FROM -65°F TO 300°F

ANSI Y14.5M-1982 APPLIES

THIS DRAWING COVERS A PROPRIETARY ITEM AND IS THE PROPERTY OF MICRO SWITCH, A DIVISION OF HONEYWELL. THIS DRAWING IS NOT TO BE COPIED OR USED WITHOUT THE APPROVAL OF MICRO SWITCH.



CHARACTERISTICS	ELECTRICAL DATA			SCALE	FULL	DO NOT SCALE PRINT
	LINE VOLTAGE	INDUCTIVE LOAD	RESISTIVE LOAD	UNLESS OTHERWISE SPECIFIED TOLERANCES ARE		
OPERATING FORCE — — — 10-30 OZ	CONTACT ARRANGEMENT S P D T			ONE PLACE	(.0)	$\pm .030$
RELEASE FORCE — — — 4 OZ MIN	28 VDC	8 AMP	15 AMP	TWO PLACE	(.00)	$\pm .015$
DIFFERENTIAL TRAVEL — — — .020 MAX	125 VAC	1 AMP	.5 AMP	THREE PLACE	(.000)	$\pm .005$
OVERTRAVEL — — — — .010 MIN	L277 1A 125 VAC, 5A 28 VDC			ANGLES		\pm
				WEIGHT		1.8 OZ MAX