

## Excellent Integrated System Limited

Stocking Distributor

Click to view price, real time Inventory, Delivery & Lifecycle Information:

[Honeywell Sensing and Productivity Solutions](#)  
[5ML1](#)

For any questions, you can email us directly:

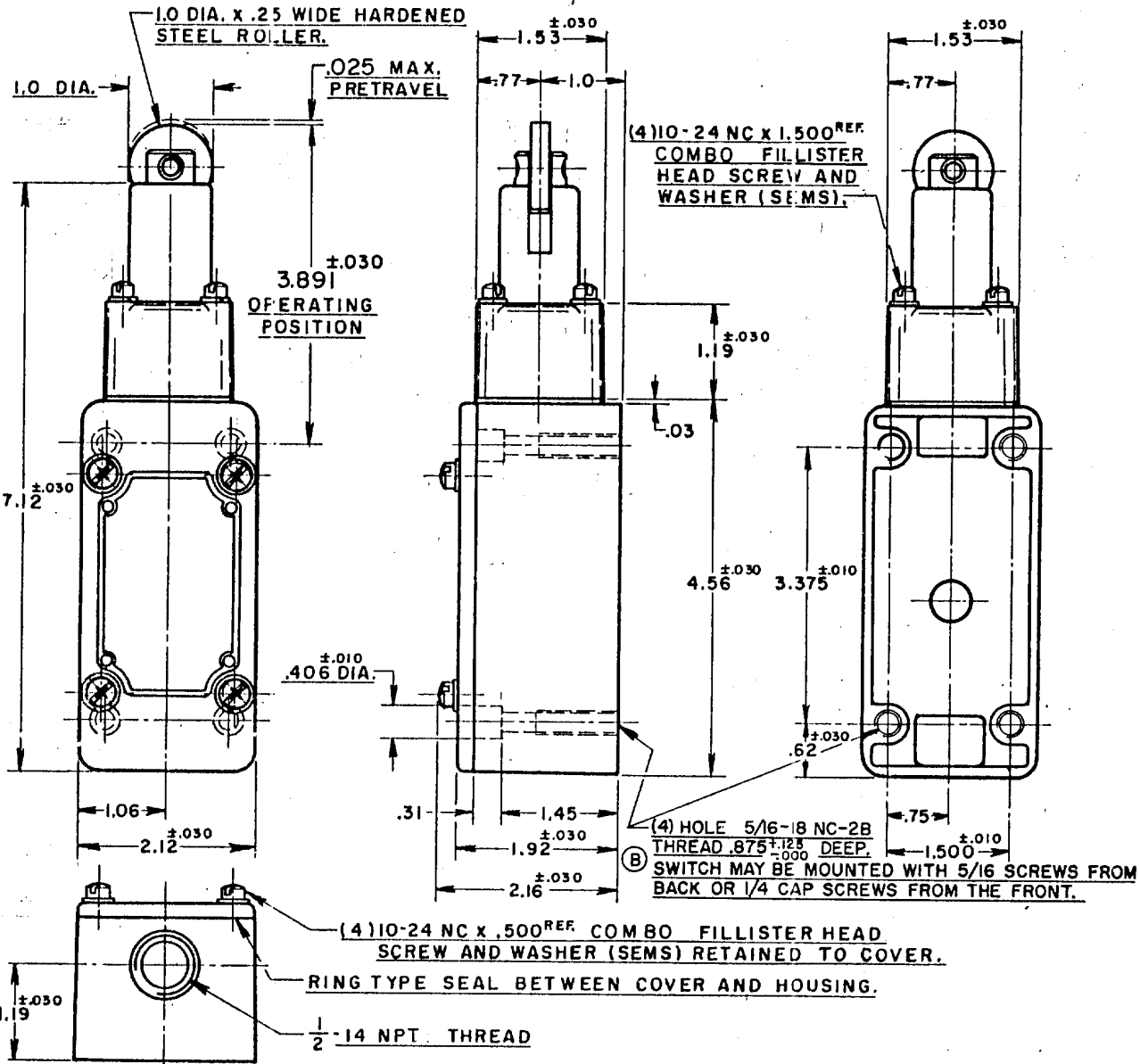
[sales@integrated-circuit.com](mailto:sales@integrated-circuit.com)

**MICRO SWITCH**  
 A DIVISION OF AMNEAPOLIS-HONEYWELL REGULATOR COMPANY  
 FREEPORT, ILLINOIS  
 FED. MFR. CODE 91929

**SWITCH - ENCLOSED**

**5ML1 S**

(M) 5ML1 ISSUE 6  
 REPLACES  
 RELEASE NO.  
 CHECK C.N.T. 19 OCT. 56  
 CHECK J.W.M. 13 OCT. 56  
 CHECK G.C.H. 24 OCT. 56  
 R.L.Z. 12 OCT. 56  
 DRAWN



**NOTE -**

- 1-ROLLER ASSEMBLY MAY BE RE-ASSEMBLED 90° FROM POSITION SHOWN.
- 2-IT IS ESSENTIAL TO PREVENT ENTRANCE OF HARMFUL AGENTS THRU THRU THE CONDUIT OPENING TO OBTAIN THE FULL BENEFIT OF THE SEALED CONSTRUCTION PROVIDED IN THIS UNIT
- 3-SWITCH WILL PERFORM SATISFACTORILY IN TEMPERATURES TO MINUS 30° F.

THIS DRAWING COVERS A PROPRIETARY ITEM AND IS THE PROPERTY OF MICRO SWITCH, A DIVISION OF HONEYWELL. THIS DRAWING IS NOT TO BE COPIED OR USED WITHOUT THE APPROVAL OF MICRO SWITCH.

CHARACTERISTICS (TENTATIVE)	ELECTRICAL DATA		SCALE 1/2 TO 1	
OPERATING FORCE --- 6 LBS. APPROX.	CONTACT ARRANGEMENT S. P. D. T.	BREAK CAPACITY 1000 VA	DO NOT SCALE PRINT	
RELEASE FORCE --- 4 LBS. APPROX.	20 A-120,240,480 OR 600 VAC; 3/4 HP-120VAC, 1 1/2 H.P.-240 VAC; 1/2 A-115 VDC; 1/4 A-230 VDC PILOT DUTY RATING: 600 VAC MAX.		UNLESS OTHERWISE SPECIFIED DIMENSIONS ARE IN INCHES <b>TOLERANCES ARE:</b>	
DIFFERENTIAL TRAVEL --- .005 MAX.				ONE PLACE (.0) ±.030
OVERTRAVEL --- .500 MIN.				TWO PLACE (.00) ±.015
SWITCH-BASIC REPLACEMENT --- IMK1			THREE PLACE (.000) ±.008	
			ANGLES ±	
			WEIGHT	