

## Excellent Integrated System Limited

Stocking Distributor

Click to view price, real time Inventory, Delivery & Lifecycle Information:

[3M](#)  
[62C64-1100EF](#)

For any questions, you can email us directly:

[sales@integrated-circuit.com](mailto:sales@integrated-circuit.com)

# Eurosocket

Type C (Rows A & C, A & B or A, B & C Filled)

62CXX Series



- DIN 41612 compatible
- High density (64 & 96 position)
- Mates with DIN 41612 Type C headers
- High reliability contact design
- Can be daisy-chained or end terminated to flat cable
- Optional strain relief with handle
- Individual connector coding with 3435-1 keying plug

Date Modified: February 19, 1999

TS-0813-01  
Sheet 1 of 4

41

## Physical

### Insulation

Material: Glass Filled Polyester (PBT)  
 Flammability: UL 94V-0  
 Color: Gray

### Contact

Material: Copper Alloy  
 Plating  
 Underplate: 50 μ" [ 1.27 μ m ] Nickel—QQ-N-290, Class 2  
 Wiping Area: 20 μ" [ 0.50 μ m ] Gold—MIL-G-45204, Type II, Grade C  
 (For additional plating options see Ordering Information)

**Marking:** 3M Logo, Part Identification & Contact Position Numbers

**Wire Accommodation:** Stranded or Solid: 26 & 28 AWG, Solid: 30 AWG

## Electrical

**Current Rating:** 1 A  
**Insulation Resistance:** >1 X 10<sup>9</sup>Ω at 500 Vdc  
**Withstanding Voltage:** 1000 Vrms at Sea Level

## Environmental

**Temperature Rating:** -55°C to +125°C

UL File No.: E68080

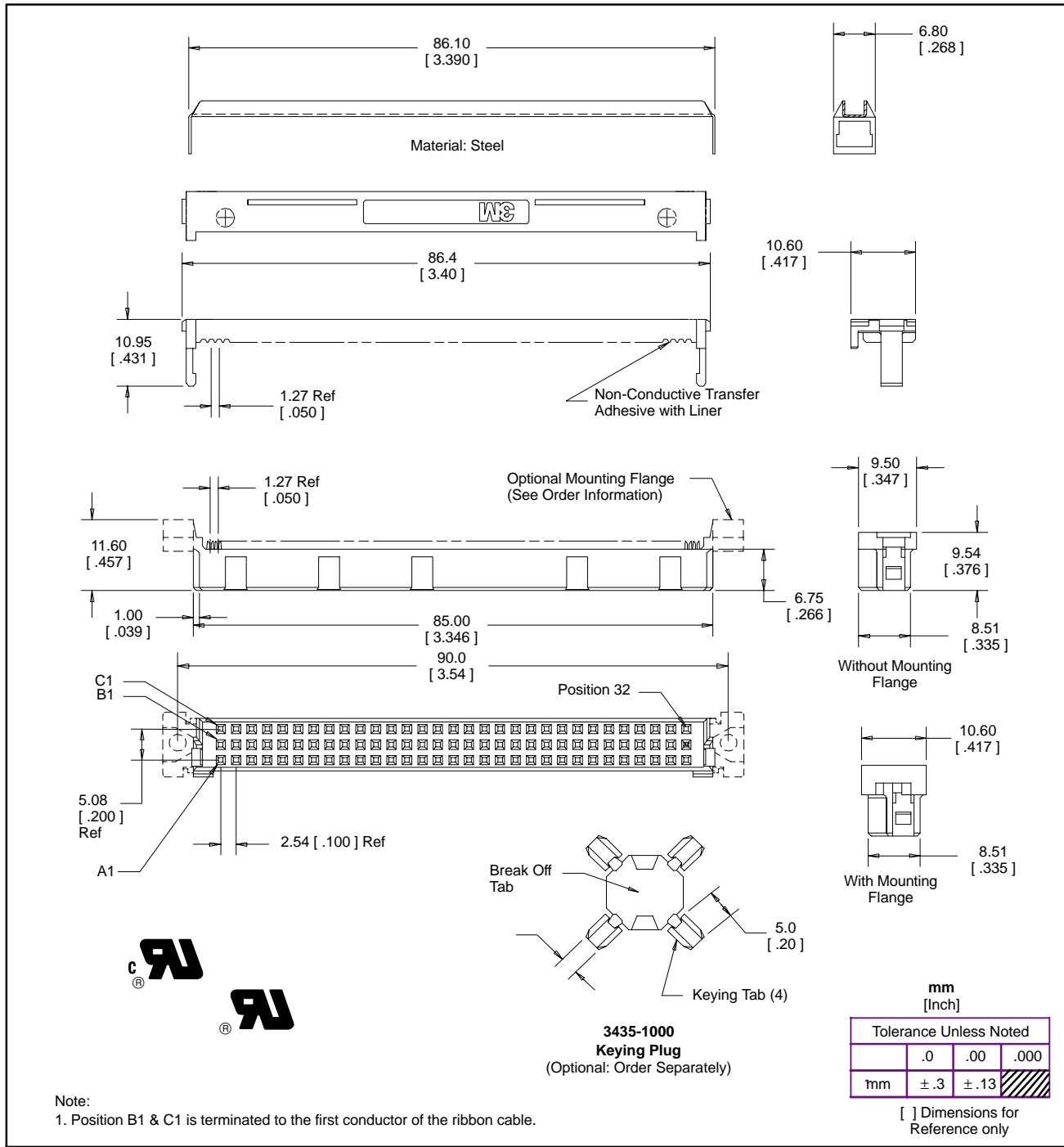
### 3M Interconnect Solutions Division

6801 River Place Blvd.  
 Austin, TX 78726-9000

For technical, sales or ordering information call  
**800-225-5373**

**Eurosocket**  
 Type C (Rows A & C, A & B or A, B & C Filled)

62CXX Series



Note:  
 1. Position B1 & C1 is terminated to the first conductor of the ribbon cable.

**Ordering Information**

**Socket**  
**62C64-1X0XXX**

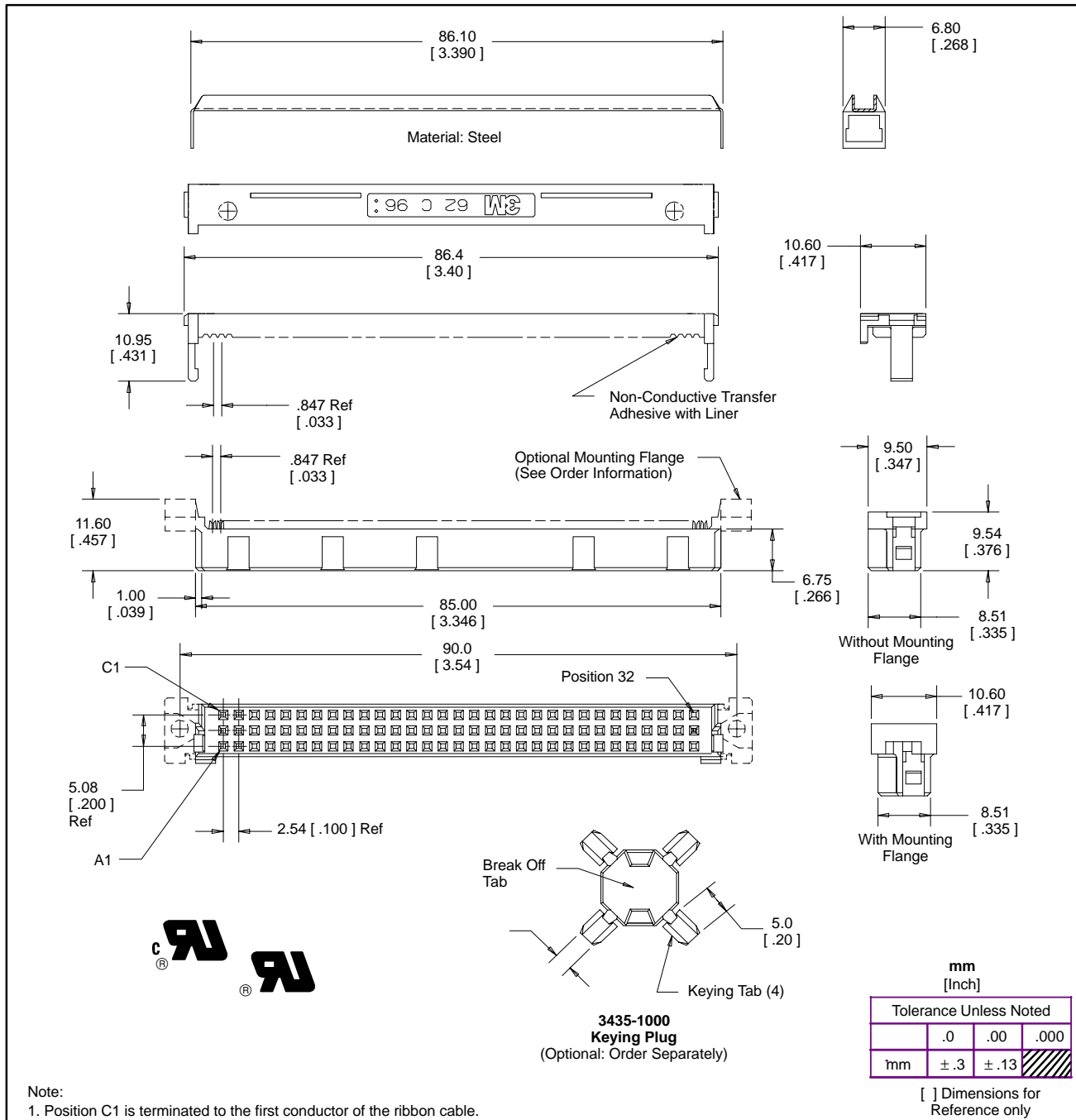
**Strain Relief**  
 (Order Separately)  
**3448-6201**

- Row of Contacts:  
 0 = A and B  
 1 = A and C
- Mounting Flange Style:  
 0 = without  
 1 = with
- Optional Plating:  
 ED = 50 μ" [ 1.27 μ m ]  
 EC = 30 μ" [ 0.76 μ m ]  
 EF = 20 μ" [ 0.50 μ m ]  
 EJ = 5 μ" [ 0.13 μ m ]

# Eurosocket

Type C (Rows A & C, A & B or A, B & C Filled)

62CXX Series



## Ordering Information

**Socket**  
**62C96-120XXX**

Mounting Style:  
0 = without Mounting Flange  
1 = with Mounting Flange

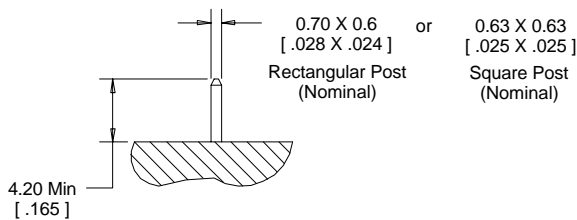
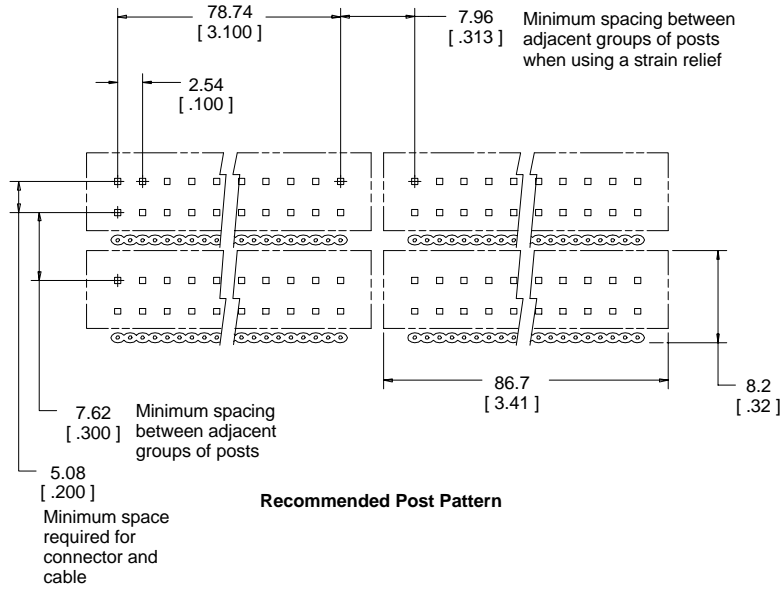
Optional Plating:  
ED = 50 μ" [ 1.27 μ m ]  
EC = 30 μ" [ 0.76 μ m ]  
EF = 20 μ" [ 0.50 μ m ]  
EJ = 5 μ" [ 0.13 μ m ]

**Strain Relief**  
**(Order Separately)**  
**3448-6201**

TS-0813-01  
Sheet 3 of 4

**Eurosocket**  
 Type C (Rows A & C, A & B or A, B & C Filled)

62CXX Series



mm [Inch]			
Tolerance Unless Noted			
	.0	.00	.000
mm	± .3	± .13	

[ ] Dimensions for Reference only

Note:  
 1. Ends of posts to be located within 0.25 [ .01 ] TPD at post end.

TS-0813-01  
 Sheet 4 of 4