

Excellent Integrated System Limited

Stocking Distributor

Click to view price, real time Inventory, Delivery & Lifecycle Information:

[TE Connectivity AMP Connectors](#)
[555162-1](#)

For any questions, you can email us directly:

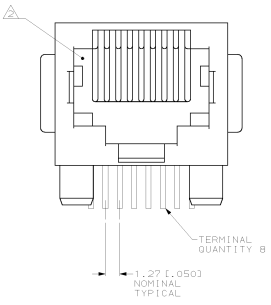
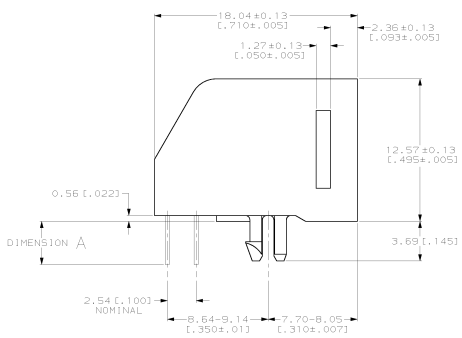
sales@integrated-circuit.com



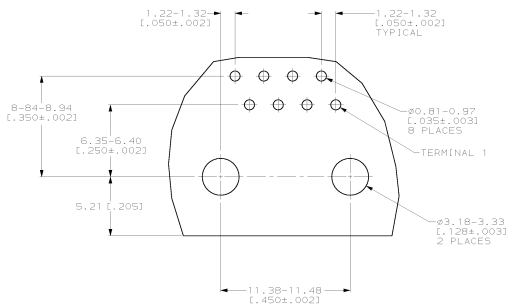
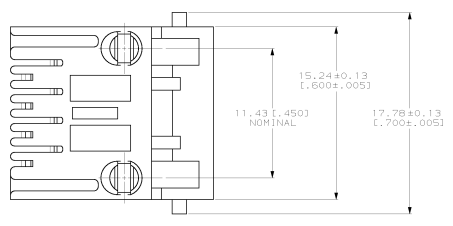
Distributor of TE Connectivity AMP Connectors: Excellent Integrated System Limited
 Datasheet of 555162-1 - CONN MOD JACK 8P8C R/A UNSHLD

6	7	6	5	4	3	2	1
INSPECTOR'S SIGNATURE	DATE OF INSPECTION	BY					
(D) CONTROL ID	DATE OF INSPECTION	BY					

REV	DATE	BY	REVISIONS
AA	22	J	REVISED PER EC 0511-0104-02
			30.MAL.S2 DD BK



- ⚠ DIMENSIONS ARE MAXIMUM UNLESS OTHERWISE SPECIFIED.
- ⚠ CAVITY CONFORMS TO FCC RULES AND REGULATIONS PART 68, SUBPART F.
- ⚠ MATERIAL: HOUSING - PBT POLYESTER, BLACK; TERMINAL - PHOSPHOR BRONZE PLATED WITH 1.27µm (L.000050) MINIMUM THICK HARD GOLD IN LOCALIZED GOLD PLATE AREA AND 3.81µm (L.000150) MINIMUM THICK TIN-LEAD IN SOLDER AREA OVER 1.27µm (L.000050) MINIMUM THICK NICKEL UNDERPLATE.
- ⚠ BULK PACKAGED IN A TRAY.



SUGGESTED PRINTED CIRCUIT BOARD
 MOUNTING HOLE LAYOUT
 (LAYOUT SHOWN FROM CIRCUIT SIDE OF BOARD)

SUPERSEDED BY 555162-1		2.54-3.05 (L.11±.01)	555162-4
PACKAGED		3.30-4.32 (L.15±.02)	555162-1
DIMENSION A			PART NUMBER
THIS DRAWING IS A CONTROLLED DOCUMENT.		TYCO Electronics Harrisburg, PA 17105-3608	
INCHES DECIMALS FRACTIONS ANGLES DIMENSIONS TOLERANCES FINISHES	DRAWING NO. 108-1163 114-2048 REVISED BY A100779	PART NO. 555162	TITLE MODULAR JACK ASSEMBLY, 8 POSITION, LOW PROFILE, RIGHT ANGLE, WITH PANEL STOPS
MATERIAL		CUSTOMER DRAWING	