

Excellent Integrated System Limited

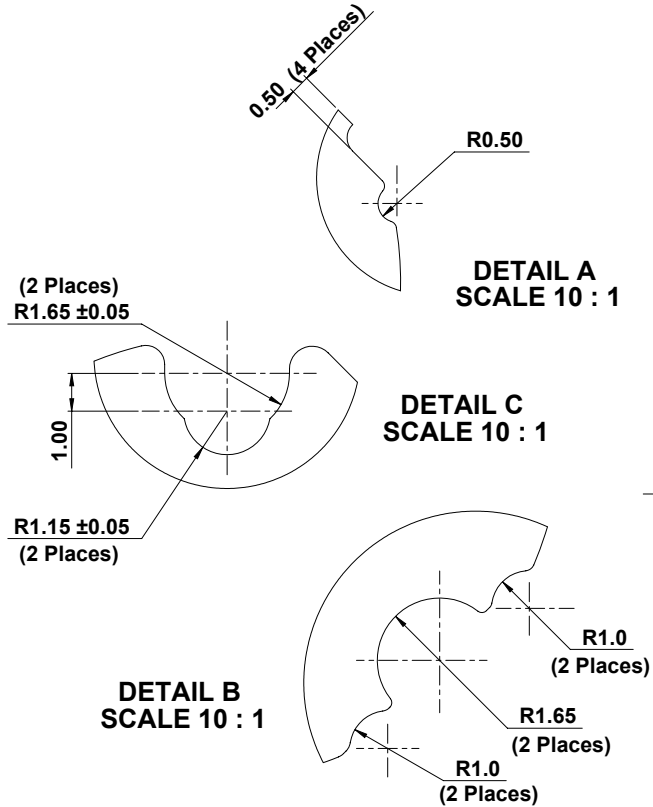
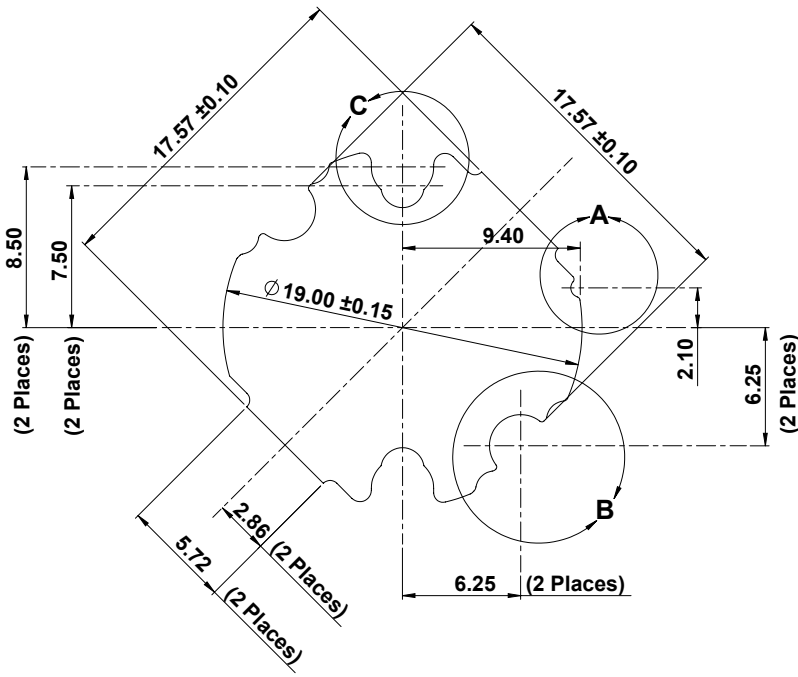
Stocking Distributor

Click to view price, real time Inventory, Delivery & Lifecycle Information:

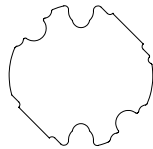
[t-Global Technology](#)
[LP0003/01-L37-3F-0.3-2A](#)

For any questions, you can email us directly:

sales@integrated-circuit.com



3D View
Scale:- 2:1



REFERENCE VIEW
Scale:- 2:1

UNLESS OTHERWISE SPECIFIED: DIMENSIONS ARE IN MILLIMETERS SURFACE FINISH: TOLERANCES: LINEAR: ANGULAR:			t-Global Technology		DO NOT SCALE DRAWING	REVISION
DRAWN L. Simpson			DATE 16 th July 2012		LP0003/01-Material Ref.-Thickness(T mm.)	
CHKD			Material t-Global Thermal Material L37-3F		Ordering No. LP0003/01-L37-3F-0.3-2A	
APPVD			Thickness T = 0.3mm.		TITLE: LUMI - PAD for LED Configuration	
MFG			DWG NO. LP0003/01-L37-3F-0.3-2A		A3	
Used On:- LUXEON LXX8-PWxx-0004			WEIGHT:		SCALE: 5:1	
					SHEET 1 OF 1	