

Excellent Integrated System Limited

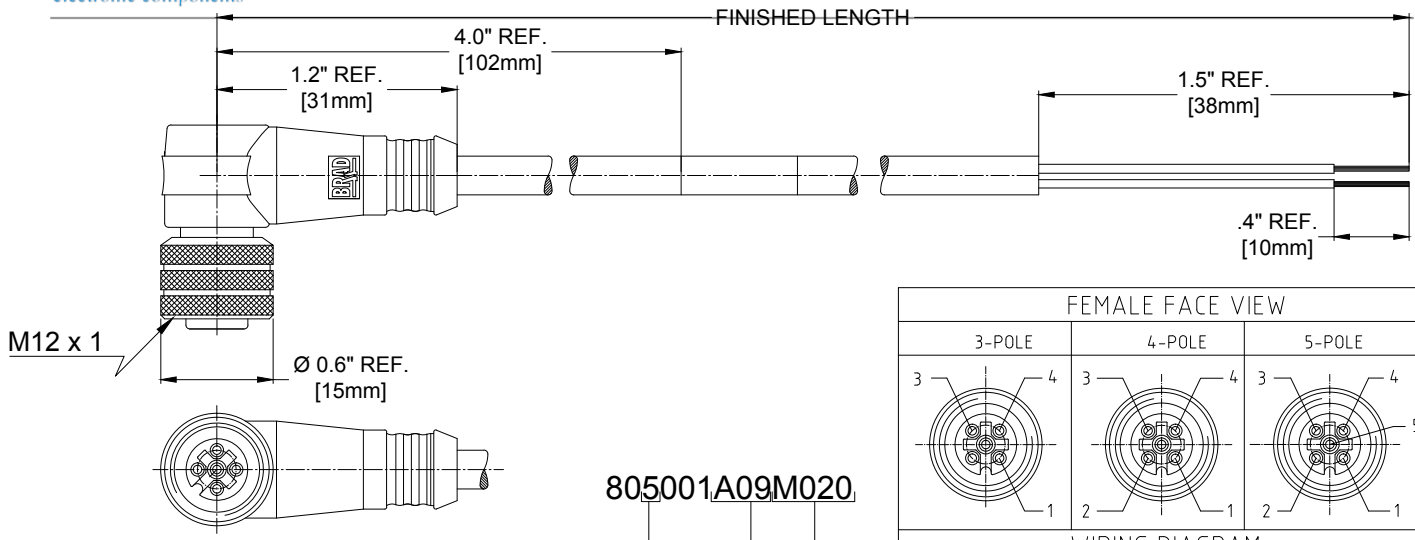
Stocking Distributor

Click to view price, real time Inventory, Delivery & Lifecycle Information:

[Molex Connector Corporation](#)
[1200651700](#)

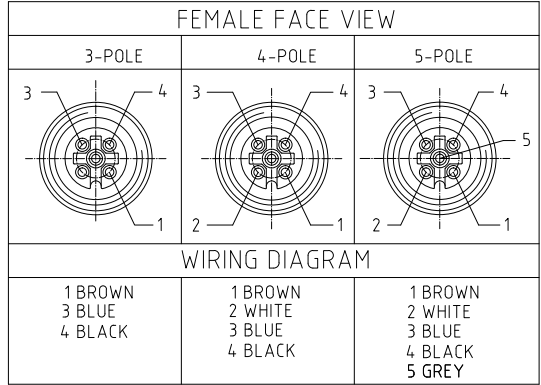
For any questions, you can email us directly:

sales@integrated-circuit.com



805001A09M020

no poles 3-5 pole
 cable type #22/3-5 PVC YELLOW
 020---2 Meters
 100---10 Meters



CONNECTOR SPECIFICATION:

| | |
|-----------------------|---------------------------------|
| VOLTAGE RATING | 250 VAC/VDC |
| AMPERAGE RATING | max. 4 AMPS |
| PROTECTION | IP67 |
| OPERATING TEMPERATURE | -20°C TO 105°C |
| UL CERTIFICATIONS | UL RECOGNIZED, FILE NO. E152210 |
| ASSEMBLY | RoHS COMPLIANT |

| COMPONENT | MATERIAL | FINISH |
|--|--------------|------------------|
| LABEL | MYLAR | BLACK/YELLOW |
| O-RING | VITON | RED |
| COUPLER | BRASS | NICKEL PLATED |
| PIN CONTACT | COPPER ALLOY | GOLD OVER NICKEL |
| INSERT | NYLON | BLACK |
| OVERMOLD | PUR | YELLOW |
| CABLE- 22/3-5 (COPPER STRANDING) 3/4/5 CONDUCT. 300V | JACKET: PVC | JACKET: YELLOW |

| MATERIAL NUMBER | ENGINEERING NUMBER | FINISHED LENGTH |
|-----------------|--------------------|----------------------------------|
| 1200651444 | 803001A09M020 | 6.56' +3.5" -0 [2.0M +89 -0] |
| 1200651551 | 804001A09M020 | 6.56' +3.5" -0 [2.0M +89 -0] |
| 1200651697 | 805001A09M020 | 6.56' +3.5" -0 [2.0M +89 -0] |
| 1200651567 | 804001A09M100 | 32.81' +12.5" -0 [10.0M +318 -0] |

| | | | | | | |
|---|---|---|---|--|--|--|
| UPDATED FOR PART MATRIX EC NO: IPC2014-0588 DRWN: GGUSTAFS 1/28/15 CHKD: TWOLLEGE APPR: ENCOBMAN 20/10/25 REV: | QUALITY SYMBOLS ▽ = 0 ▽ = 0 | GENERAL TOLERANCES (UNLESS SPECIFIED) 4 PLACES ± .13 ± .010 3 PLACES ± .13 ± .010 2 PLACES ± .13 ± .010 1 PLACE ± .25 ± .020 ANGULAR ± .5° | DIMENSION STYLE IN/MM | SCALE NTS INCH | DESIGN UNITS THIRD ANGLE PROJECTION | |
| | DRAFT WHERE APPLICABLE MUST REMAIN WITHIN DIMENSIONS | | SEE CHART SIZE A3 | MICRO-CHANGE CORDSET 3-5 POLE FEMALE 90D 22/AWG YELLOW PVC CABLE | | |
| | MATERIAL NO. A | | APPROVED BY DATE NSTAUDIG 2010/01/25 | MOLEX INCORPORATED | DOCUMENT NO. SD-120065-027 SHEET NO. 1 OF 1 | |
| | THIS DRAWING CONTAINS INFORMATION THAT IS PROPRIETARY TO MOLEX INCORPORATED AND SHOULD NOT BE USED WITHOUT WRITTEN PERMISSION | | | | | |