

Excellent Integrated System Limited

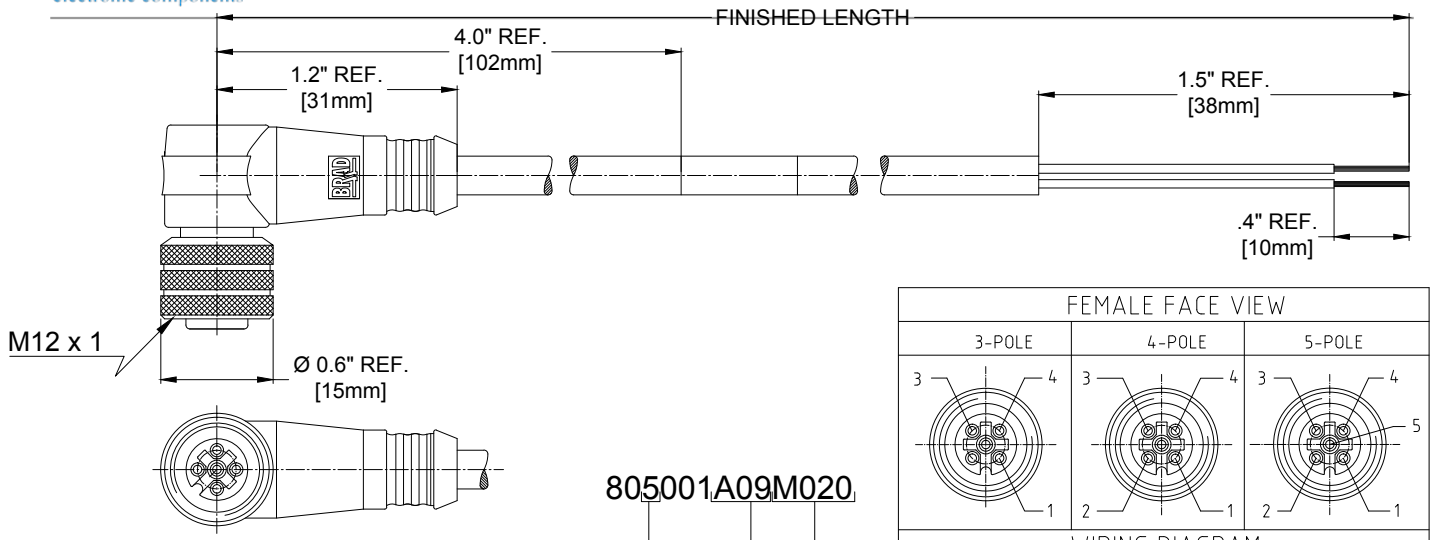
Stocking Distributor

Click to view price, real time Inventory, Delivery & Lifecycle Information:

[Molex Connector Corporation](#)
[1200651706](#)

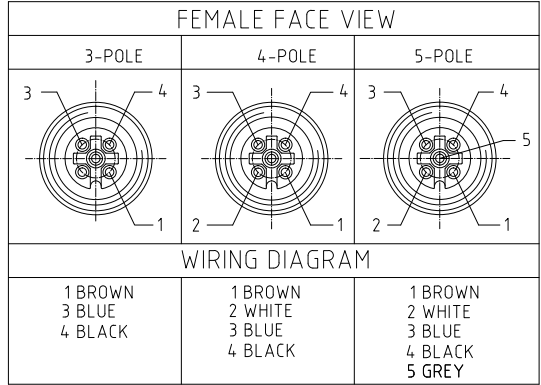
For any questions, you can email us directly:

sales@integrated-circuit.com



805001A09M020

no poles 3-5 pole
 cable type #22/3-5 PVC YELLOW
 020---2 Meters
 100---10 Meters



CONNECTOR SPECIFICATION:

VOLTAGE RATING	250 VAC/VDC
AMPERAGE RATING	max. 4 AMPS
PROTECTION	IP67
OPERATING TEMPERATURE	-20°C TO 105°C
UL CERTIFICATIONS	UL RECOGNIZED, FILE NO. E152210
ASSEMBLY	RoHS COMPLIANT

COMPONENT	MATERIAL	FINISH
LABEL	MYLAR	BLACK/YELLOW
O-RING	VITON	RED
COUPLER	BRASS	NICKEL PLATED
PIN CONTACT	COPPER ALLOY	GOLD OVER NICKEL
INSERT	NYLON	BLACK
OVERMOLD	PUR	YELLOW
CABLE- 22/3-5 (COPPER STRANDING) 3/4/5 CONDUCT. 300V	JACKET: PVC	JACKET: YELLOW

MATERIAL NUMBER	ENGINEERING NUMBER	FINISHED LENGTH
1200651444	803001A09M020	6.56' +3.5" -0 [2.0M +89 -0]
1200651551	804001A09M020	6.56' +3.5" -0 [2.0M +89 -0]
1200651697	805001A09M020	6.56' +3.5" -0 [2.0M +89 -0]
1200651567	804001A09M100	32.81' +12.5" -0 [10.0M +318 -0]

UPDATED FOR PART MATRIX EC NO: IPC2014-0588 DRWN: GGUSTAFS 1/28/15 CHKD: TWOLLEGE APPR: ENCOBMAN 20/10/25 REV:	QUALITY SYMBOLS ▽ = 0 ▽ = 0	GENERAL TOLERANCES (UNLESS SPECIFIED) 4 PLACES ± .13 ± .010 3 PLACES ± .13 ± .010 2 PLACES ± .13 ± .010 1 PLACE ± .25 ± .020 ANGULAR ± .5°	DIMENSION STYLE IN/MM	SCALE NTS INCH	DESIGN UNITS INCH	THIRD ANGLE PROJECTION	
	DRAFT WHERE APPLICABLE MUST REMAIN WITHIN DIMENSIONS		SEE CHART	MICRO-CHANGE CORDSET 3-5 POLE FEMALE 90D 22/AWG YELLOW PVC CABLE		MOLEX INCORPORATED	
	MATERIAL NO. A3		DOCUMENT NO. SD-120065-027	SHEET NO. 1 OF 1		THIS DRAWING CONTAINS INFORMATION THAT IS PROPRIETARY TO MOLEX INCORPORATED AND SHOULD NOT BE USED WITHOUT WRITTEN PERMISSION	