



Excellent Integrated System Limited

Stocking Distributor

Click to view price, real time Inventory, Delivery & Lifecycle Information:

[Cinch Connectivity Solutions](#)
[108-2302-801](#)

For any questions, you can email us directly:
sales@integrated-circuit.com



Distributor of Cinch Connectivity Solutions: Excellent Integrated System Limited

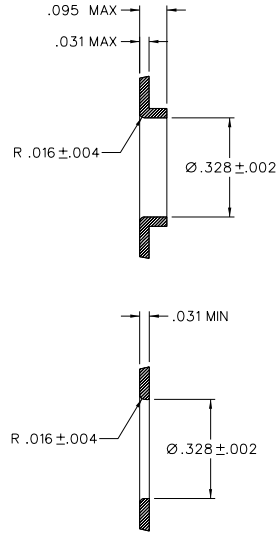
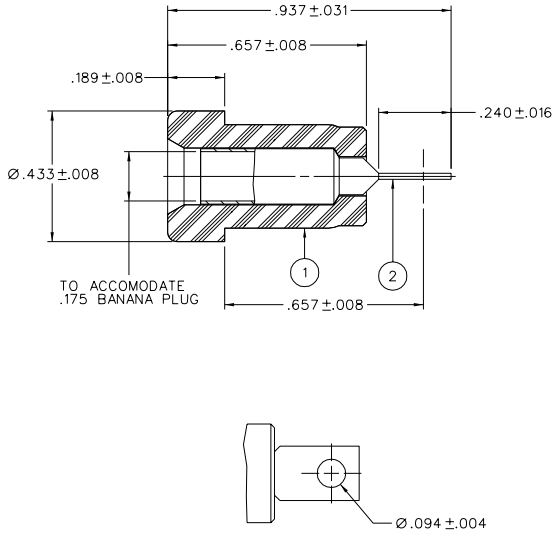
Datasheet of 108-2302-801 - CONN BANANA JACK STD RED 16AWG

Contact us: sales@integrated-circuit.com Website: www.integrated-circuit.com

PART NUMBER	ITEM BODY	ITEM CONTACTS
108-XXXX-801	NYLON	BRASS TIN PL .0001 MIN OVER NICKEL PL .00005 MIN
108-XXXX-802	NYLON	BRASS GOLD PL .00001 MIN OVER NICKEL PL .00003 MIN

CATALOG DESIGNATION FOR VARIOUS COLORED BODIES	PART NUMBER	COLOR
108-2301-XXX	RED	
108-2302-XXX	BLACK	
108-2303-XXX	GREEN	
108-2304-XXX	LIGHT BLUE	
108-2305-XXX	ORANGE	
108-2306-XXX	YELLOW	
108-2307-XXX	BROWN	
108-2308-XXX	LIGHT GREEN	
108-2309-XXX	BLUE	
108-2310-XXX	IVORY	
108-2311-XXX	VIOLET	
108-2312-XXX	GRAY	

DRAWING NO. -2301-801	C-108-2320-820
REVISIONS	
0	ENGINEERING RELEASE
14	08-22-89



MOUNTING HOLE DETAIL

NOTES:

- SPECIFICATIONS:
 - MECHANICAL:
 - TORQUE: 12 OZ IN MIN REQUIRED TO TURN CONTACT IN BODY
 - TORQUE: 12 OZ IN MIN REQUIRED TO TURN BODY IN PANEL
 - PUSHOUT FORCE: 30 LBS MIN REQUIRED TO REMOVE CONTACT FROM BODY
 - PUSHOUT FORCE: 50 LBS MIN REQUIRED TO REMOVE BODY FROM PANEL
 - ELECTRICAL:
 - Dielectric Withstanding Voltage: 8500 VRMS MIN
 - Current Rating: 10 AMPS MIN
 - Contact Resistance: 10 MILLIOHMS MAX
 - Capacitance: 2.6 PF NOMINAL
 - Insulation Resistance: 5000 MEGOHMS MIN
 - ENVIRONMENTAL:
 - Life Expectancy: 5000 CYCLES MIN
 - Temperature Range: -55° TO +85° C
 - Vibration: 10 TO 55 Hz MIN
 - Shock: 100 g's MIN

CUSTOMER DRAWING

THIS DRAWING TO BE INTERPRETED PER ASME Y 14.5M - 1994
"µ STATION"

COMPANY CONFIDENTIAL

TOLERANCE UNLESS OTHERWISE SPECIFIED	DRAWN BY	DATE		Cinch Connectivity Solutions P.O. Box 1732 Waseca, MN 56093 1-800-247-8256
DECIMALS	EJ	9-25-89		
.XX	CHECKED BY	DATE	TITLE BANANA JACK RIB-LOC FOR .175 BANANA PLUG	
.XXX	RRE	1-12-90		
MATL	APPROVED BY	DATE	SHEET 2 OF 2	DRAWING NO. -2301-801 C-108-2320-820
FINISH	GSQ	1-12-90		
	RELEASE DATE	SCALE		
	U/M INCH	4:1		