

Excellent Integrated System Limited

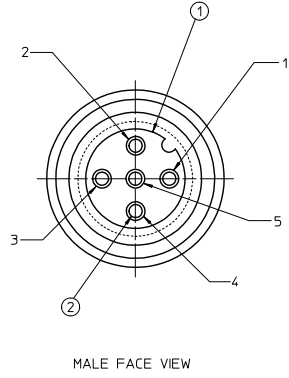
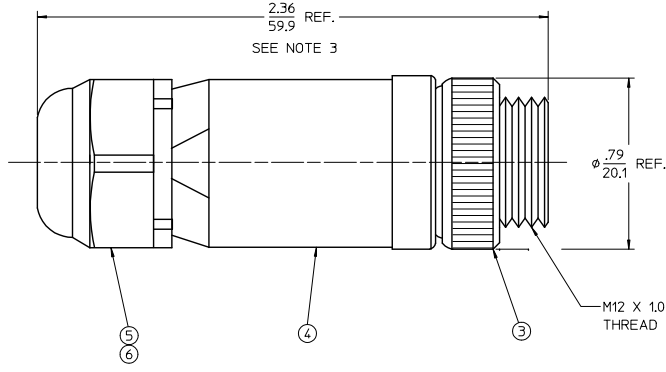
Stocking Distributor

Click to view price, real time Inventory, Delivery & Lifecycle Information:

[Molex Connector Corporation](#)
[0848549318](#)

For any questions, you can email us directly:

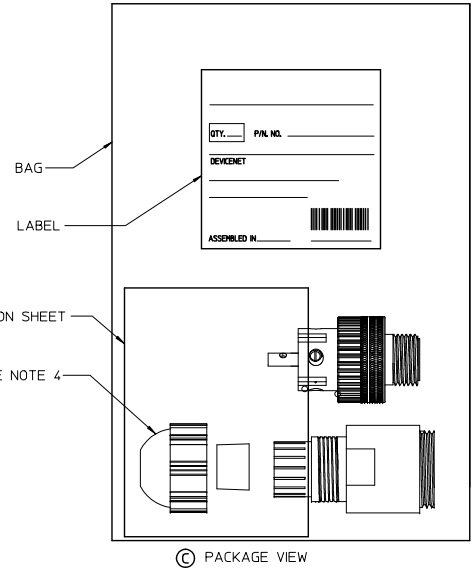
sales@integrated-circuit.com



MALE FACE VIEW

NOTES:

1. CABLE RANGE: .16 to .32 DIA. (4.1mm TO 8.1mm)
2. MAX CONDUCTOR SIZE: 18 AWG
3. PART SHOWN ASSEMBLED FOR DIMENSIONAL REF. ONLY
4. COMPONENTS ARE SHIPPED AS UNASSEMBLED KIT
- ⑤. INSTRUCTION SHEET IS PACKED INSIDE BAG



⑤ PACKAGE VIEW

7	1	INSTRUCTION SHEET		
6	1	PACKING GLAND (GROMMET)	NITRILE RUBBER	BLACK
5	1	PACKING NUT	NYLON	BLACK
4	1	OVERMOLD	POLYAMIDE	BLACK
3	1	COUPLING NUT	BRASS	NICKEL PLATED
2	5	CONTACT SOCKET	BRASS	SILVER PLATED
1	1	INSERT, 5/C, DC KEY, FEMALE	POLYAMIDE	BLACK
ITEM	QTY.	DESCRIPTION	MATERIAL	FINISH

REV'D PING VIEW TO REMOVE THIS. DEC NO: JFGZ013-1559 DRAWN BY: R. STONE 2013/04/08 CHECKED BY: CHIKOKI JOZWIK 2013/04/10 APPROV: J. MORPHY 2013/06/24	QUALITY SYMBOLS	GENERAL TOLERANCES (UNLESS SPECIFIED)	DIMENSION STYLE	SCALE	DESIGN UNITS	THIRD ANGLE PROJECTION	
	▼=0 ∇=0	mm INCH 4 PLACES ± --- ± --- 3 PLACES ± --- ± --- 2 PLACES ± 0.13 ± .01 1 PLACE ± 0.3 ± --- ANGULAR ± 1/2°	IN/MM DRAWN BY: R. STONE DATE: 2007/10/11 CHECKED BY: J. MACNEIL DATE: 2007/10/16 APPROVED BY: J. MACNEIL DATE: 2007/10/16	TITLE: MICRO-CHANGE 5/C FIELD ATTACHABLE MALE	INCH	MOLEX INCORPORATED	SHEET NO. 1 OF 1
	DRAFT WHERE APPLICABLE MUST REMAIN WITHIN DIMENSIONS	MATERIAL NO. 848549318	DOCUMENT NO. SD-84854-020	THIS DRAWING CONTAINS INFORMATION THAT IS PROPRIETARY TO MOLEX INCORPORATED AND SHOULD NOT BE USED WITHOUT WRITTEN PERMISSION			
	REV	DESCRIPTION	SIZE				