

## Excellent Integrated System Limited

Stocking Distributor

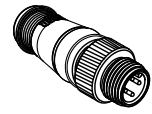
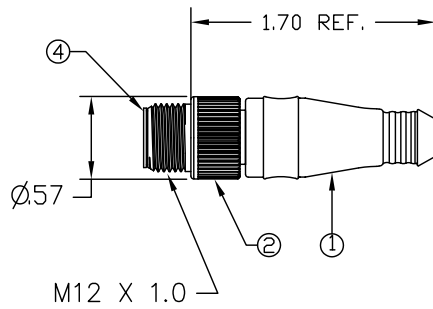
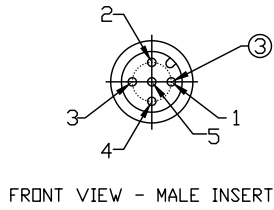
Click to view price, real time Inventory, Delivery & Lifecycle Information:

[Molex Connector Corporation](#)  
[1200390001](#)

For any questions, you can email us directly:

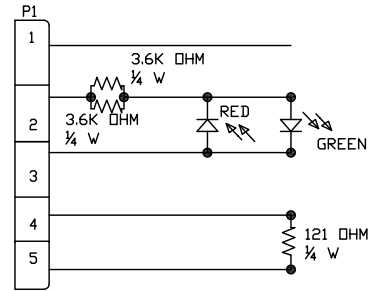
[sales@integrated-circuit.com](mailto:sales@integrated-circuit.com)

MOLEX PART NO.	ENGINEERING NUMBER
1200390001	DND100L



NOTES:

- 1) MATERIAL: SEE TABLE
- 2) FINISHES: SEE TABLE
- 3) ELECTRICAL DATA:  
MAX. VOLTAGE: 30V DC  
MAX. CURRENT 4A
- 4) ENVIRONMENTAL:  
PROTECTION IP67
- 5) ASSEMBLY IS RoHS COMPLIANT.



WIRING DIAGRAM

<table border="1"> <tr> <td>4</td> <td>1</td> <td>INSERT</td> <td>NYLON</td> <td>BLACK</td> </tr> <tr> <td>3</td> <td>5</td> <td>PIN CONTACT</td> <td>COPPER ALLOY</td> <td>GOLD PLATED</td> </tr> <tr> <td>2</td> <td>1</td> <td>M12 COUPLING NUT</td> <td>ZINC DIE-CAST</td> <td>BLACK</td> </tr> <tr> <td>1</td> <td>1</td> <td>OVERMOLD</td> <td>PVC</td> <td>CLEAR</td> </tr> </table>				4	1	INSERT	NYLON	BLACK	3	5	PIN CONTACT	COPPER ALLOY	GOLD PLATED	2	1	M12 COUPLING NUT	ZINC DIE-CAST	BLACK	1	1	OVERMOLD	PVC	CLEAR	RELEASE EC NO: WNA20100410 DRWN: TWOLDEGE 201001/11 CHKD: BWOODMAN APPR: JFMURPHY 201001/20	QUALITY SYMBOLS ▽=0 ∇=0	GENERAL TOLERANCES (UNLESS SPECIFIED) <table border="1"> <tr> <th></th> <th>mm</th> <th>INCH</th> </tr> <tr> <td>4 PLACES</td> <td>±---</td> <td>±---</td> </tr> <tr> <td>3 PLACES</td> <td>±---</td> <td>±.005</td> </tr> <tr> <td>2 PLACES</td> <td>±0.13</td> <td>±.010</td> </tr> <tr> <td>1 PLACE</td> <td>±0.25</td> <td>±.020</td> </tr> </table> ANGULAR ±1/2° DRAFT WHERE APPLICABLE MUST REMAIN WITHIN DIMENSIONS		mm	INCH	4 PLACES	±---	±---	3 PLACES	±---	±.005	2 PLACES	±0.13	±.010	1 PLACE	±0.25	±.020	DIMENSION STYLE IN/MM DRAWN BY DATE CHECKED BY DATE <b>BWOODMAN</b> APPROVED BY DATE <b>JFMURPHY 2010/01/20</b>	SCALE 1:1 DESIGN UNITS INCH THIRD ANGLE PROJECTION	TITLE MICRO D-NET TERMINATOR 5-P MALE LED TERMINATOR DEVICE-NET MOLEX INCORPORATED DOCUMENT NO. SD-120039-001 SHEET NO. 1 OF 1
4	1	INSERT	NYLON	BLACK																																								
3	5	PIN CONTACT	COPPER ALLOY	GOLD PLATED																																								
2	1	M12 COUPLING NUT	ZINC DIE-CAST	BLACK																																								
1	1	OVERMOLD	PVC	CLEAR																																								
	mm	INCH																																										
4 PLACES	±---	±---																																										
3 PLACES	±---	±.005																																										
2 PLACES	±0.13	±.010																																										
1 PLACE	±0.25	±.020																																										
ITEM QTY. DESCRIPTION MATERIAL FINISH					A	SIZE A	THIS DRAWING CONTAINS INFORMATION THAT IS PROPRIETARY TO MOLEX INCORPORATED AND SHOULD NOT BE USED WITHOUT WRITTEN PERMISSION																																					

6

5

4

3

2

1