

Excellent Integrated System Limited

Stocking Distributor

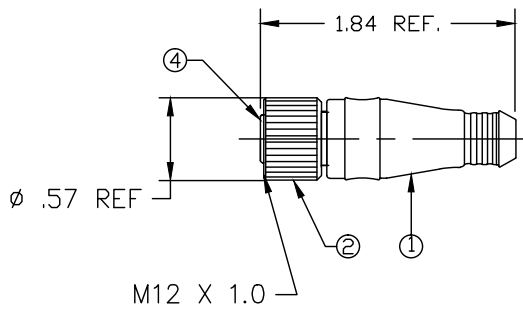
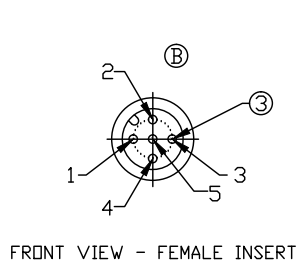
Click to view price, real time Inventory, Delivery & Lifecycle Information:

[Molex Connector Corporation](#)
[1200390003](#)

For any questions, you can email us directly:

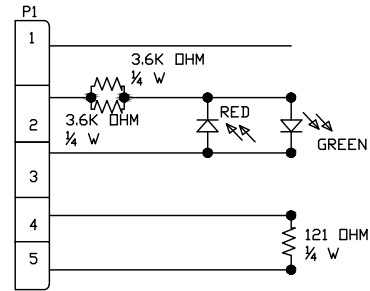
sales@integrated-circuit.com

MOLEX PART NO.	ENGINEERING NUMBER
1200390003	DND150L



NOTES:

- 1) MATERIAL: SEE TABLE
- 2) FINISHES: SEE TABLE
- 3) ELECTRICAL DATA:
MAX. VOLTAGE: 30V DC
MAX. CURRENT 4A
- 4) ENVIRONMENTAL:
PROTECTION IP67
- 5) ASSEMBLY IS RoHS COMPLIANT.



WIRING DIAGRAM

<table border="1"> <tr> <th>ITEM</th> <th>QTY.</th> <th>DESCRIPTION</th> <th>MATERIAL</th> <th>FINISH</th> </tr> <tr> <td>4</td> <td>1</td> <td>INSERT</td> <td>NYLON</td> <td>BLACK</td> </tr> <tr> <td>3</td> <td>5</td> <td>SOCKET CONTACT</td> <td>COPPER ALLOY</td> <td>GOLD PLATED</td> </tr> <tr> <td>2</td> <td>1</td> <td>M12 COUPLING NUT</td> <td>ZINC DIE-CAST</td> <td>BLACK</td> </tr> <tr> <td>1</td> <td>1</td> <td>OVERMOLD</td> <td>PVC</td> <td>CLEAR</td> </tr> </table>				ITEM	QTY.	DESCRIPTION	MATERIAL	FINISH	4	1	INSERT	NYLON	BLACK	3	5	SOCKET CONTACT	COPPER ALLOY	GOLD PLATED	2	1	M12 COUPLING NUT	ZINC DIE-CAST	BLACK	1	1	OVERMOLD	PVC	CLEAR	<p>UPDATED PIN NUMBERS</p> <p>EC NO: IPG2016-0705 DRWN: GUSTAFS 2015/11/06 CHKD: IMZELIN 2015/12/22 APPR: BWOODMAN 2016/01/20</p>		<p>QUALITY SYMBOLS</p> <p>▽=0 ∇=0</p>	<p>GENERAL TOLERANCES (UNLESS SPECIFIED)</p> <table border="1"> <tr> <th></th> <th>mm</th> <th>INCH</th> </tr> <tr> <td>4 PLACES</td> <td>±---</td> <td>±---</td> </tr> <tr> <td>3 PLACES</td> <td>±---</td> <td>±.005</td> </tr> <tr> <td>2 PLACES</td> <td>±0.13</td> <td>±.010</td> </tr> <tr> <td>1 PLACE</td> <td>±0.25</td> <td>±.020</td> </tr> </table>			mm	INCH	4 PLACES	±---	±---	3 PLACES	±---	±.005	2 PLACES	±0.13	±.010	1 PLACE	±0.25	±.020	<p>DIMENSION STYLE</p> <p>IN/MM</p>		<p>SCALE</p> <p>1:1</p>	<p>DESIGN UNITS</p> <p>INCH</p>	<p>THIRD ANGLE PROJECTION</p>
				ITEM	QTY.	DESCRIPTION	MATERIAL	FINISH																																													
4	1	INSERT	NYLON	BLACK																																																	
3	5	SOCKET CONTACT	COPPER ALLOY	GOLD PLATED																																																	
2	1	M12 COUPLING NUT	ZINC DIE-CAST	BLACK																																																	
1	1	OVERMOLD	PVC	CLEAR																																																	
	mm	INCH																																																			
4 PLACES	±---	±---																																																			
3 PLACES	±---	±.005																																																			
2 PLACES	±0.13	±.010																																																			
1 PLACE	±0.25	±.020																																																			
<p>DRAFT WHERE APPLICABLE MUST REMAIN WITHIN DIMENSIONS</p>				<p>APPROVED BY DATE</p> <p>JFMURPHY 2010/01/20</p>		<p>TITLE</p> <p>MICRO D-NET TERMINATOR 5P FEMALE LED TERMINATOR DEVICE-NET</p>		<p>MATERIAL NO.</p> <p>SEE CHART</p>		<p>DOCUMENT NO.</p> <p>SD-120039-002</p>	<p>SHEET NO.</p> <p>1 OF 1</p>																																										

6

5

4

3

2

1