



Excellent Integrated System Limited

Stocking Distributor

Click to view price, real time Inventory, Delivery & Lifecycle Information:

[Amphenol RF](#)
[031-80105](#)

For any questions, you can email us directly:

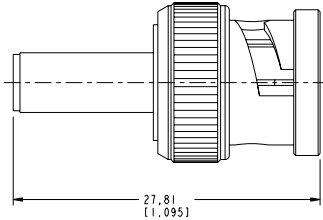
sales@integrated-circuit.com

- NOTES:
 1. MATERIALS AND FINISHES:
 BODY - PHOSPHOR BRONZE, NICKEL PLATING (.0001" THICK)
 CONTACT - BRASS, GOLD PLATING (.00003" THICK)
 FERRULE - BRASS, NICKEL PLATING (.0001" THICK)
 INSULATOR - PTFE
2. ELECTRICAL:
 A. IMPEDANCE: 75 OHM
 B. FREQUENCY RANGE: DC - 4 GHz
 C. VSWR (RETURN LOSS): 1.3 MAX
 D. DIELECTRIC WITHSTANDING VOLTAGE: 1500 VRMS, MIN.
3. MECHANICAL:
 A. DURABILITY: 500 CYCLES, MIN.
 B. TEMPERATURE RANGE: -65° C TO +165° C
4. FERRULE TO BE CRIMPED WITH A .178 HEX DIE.
 CONTACT TO BE CRIMPED WITH A .042 SQUARE DIE
 OR A 8 PT CRIMPER AMPHENOL NUMBER 227-T1200
- ▷ SHOWS CABLE ENTRY DIMENSIONS.

THIRD ANGLE PROJ.

REVISIONS

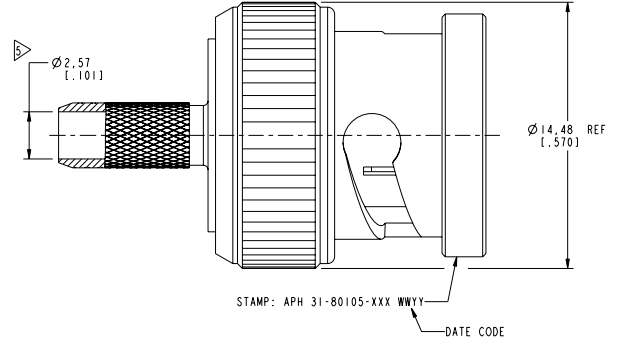
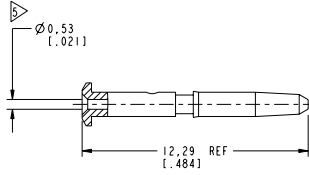
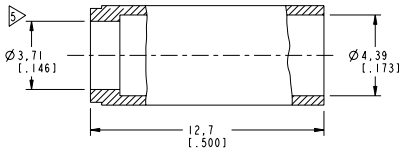
REV	DESCRIPTION	DATE	ECO	APPR
A	RELEASE TO MFG	4/11/05	45903	GSA
B	DANBURY: FR-54-44-51-37X127 WAS 31-12690-5NA ARFA: NO. 1,2,4,5,6 WERE CHANGED/RD-DM06021001K	6/13/05	45579	GSA
C	DANBURY: REDESIGNED FOR STANDARD PARTS; ARFA: CABLE STRIPPING WAS CHANGED/RD-DM06091501S	2/9/06	45903	GSA
D	ARFA: CRIMP TOOL WAS CHANGED/RD-DM08080401K DANBURY: ADDED SHEET 2 NOTE 4 ".....TOOL"	5/11/06	46083	CPM
E	SHEET 2 NOTE 4 WAS CHANGED	8/6/07	46681	TC
F	227-T1200 WAS CTL-T1200	7/30/08	47155	JL
G	STAMPING WAS CHANGED/RD-DM11082501I	07-Sep-11	48757	SCOTT



AFTER ASSEMBLY DIMENSIONS



RECOMMENDED CABLE STRIPPING DIMENSIONS



CUSTOMER OUTLINE DRAWING
 ALL OTHER SHEETS ARE FOR INTERNAL USE ONLY

UNLESS OTHERWISE SPECIFIED, DIMENSIONS ARE IN METRIC AND TOLERANCES ARE: $\pm 0.5mm$ $0.5 - 6mm$ $6 - 30mm$ $30 - 120mm$ ANGLES $\pm 0.05mm$ $\pm 0.1mm$ $\pm 0.2mm$ $\pm 0.3mm$ $\pm L$	MATERIAL	DRAWN	DATE	TITLE 75 OHM BNC PLUG FOR AT&T 735A CABLE	Amphenol RF Danbury CT USA, Tainan, Taiwan, Shenzhen, China www.amphenolrf.com	
	SEE NOTE	I. XU	26-Aug-11			
NOTICE - These drawings, specifications, or other data (1) are, and remain the property of Amphenol Corp. (2) must be returned upon request; and (3) are confidential and not to be disclosed to any person other than those to whom they are given by Amphenol Corp. The finishing of these drawings, specifications, or other data by Amphenol Corp., or to any other person to anyone for any purpose is not to be regarded by implication or otherwise in any manner licensing, granting rights to permitting such holder or any other person to manufacture, use or sell any product, process or design, patented or otherwise, that may in any way be related to or disclosed by said drawings, specifications, or other data.	REFERENCE	APPROVED	DATE	SCALE: 5.0:1.0	SHEET 2 OF 2	
	EARR 1674 AND 611x-3996	S. HSIEH	05-Sep-11	DWG SIZE B	REV G	DRAWING NO. 31-80105
	CONFIGURATION LEVEL: ***	CAD FILE				ITEM NO. 31-80105
FINISH						PART NO. 31-80105