

Excellent Integrated System Limited

Stocking Distributor

Click to view price, real time Inventory, Delivery & Lifecycle Information:

[Amphenol RF](#)
[082-6101-RFX](#)

For any questions, you can email us directly:

sales@integrated-circuit.com

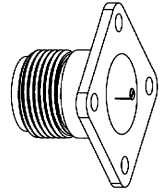
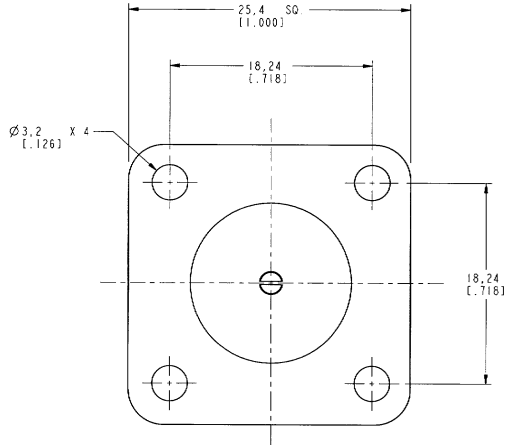
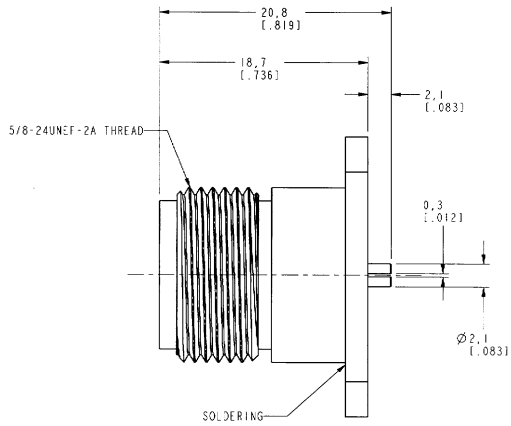


Distributor of Amphenol RF: Excellent Integrated System Limited
 Datasheet of 082-6101-RFX - CONN N JACK STR 50 OHM SOLDER

NOTES:

- I. MATERIALS OF CONSTRUCTION:
 BODY, HOUSING = BRASS, NICKEL PLATED
 CONTACT PIN = PHOSPHOR BRONZE, GOLD PLATED
 INSULATOR = TEFLON, MIL-P-19468

82-6101-RFX		REVISIONS			
DRAWING NO.	REV	DESCRIPTION	DATE	ECO	APPR
THIRD ANGLE PROJ.	A	RELEASE TO MFG.	11/30/00	43606	CPM



SCALE 1:500

CUSTOMER OUTLINE DRAWING
 FOR REFERENCE ONLY

UNLESS OTHERWISE SPECIFIED, DIMENSIONS ARE IN INCHES AND TOLERANCES ARE: 0.5 - 6mm ±0.2mm 6 - 30mm ±0.4mm 30 - 120mm ±0.6mm	MATERIAL	DRAWN C. McGRATH	DATE 16-Nov-00	TITLE	Amphenol Amphenol Corporation Communication and Network Products Division Danbury, CT U.S.A. 06800		
	NOTICE: These drawings, specifications, or other data (1) are, and remain the property of Amphenol Corp. (2) must be returned upon request, and (3) are confidential and not to be disclosed to any person other than those to whom they are given by Amphenol Corp. The furnishing of these drawings, specifications, or other data by Amphenol Corp., or to any other person for any purpose is not to be regarded by implication or otherwise in any manner licensing, granting rights or permitting such holder or any other person to manufacture, use or sell any product, process or design, patented or otherwise, that may in any way be related to or disclosed by said drawings, specifications, or other data.	REFERENCE GEN# 82-6101-RFX_ASSY	ENGINEER O. BARTHELMES	DATE 16-Nov-00		'N' PANEL RECEPTACLE JACK	SCALE: 3.0:1 SHEET 2 OF 2
		APPROVED O. Barthelmes	DATE 11/29/00				
		CAD FILE I:\N\82-6101-RFX		CODE ID 74868	DWG SIZE B	DRAWING NO. 82-6101-RFX	REV A