



Excellent Integrated System Limited

Stocking Distributor

Click to view price, real time Inventory, Delivery & Lifecycle Information:

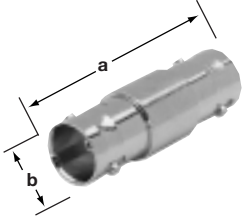
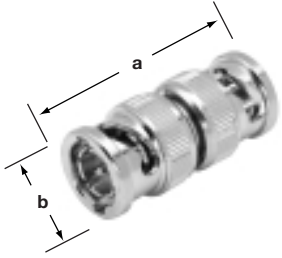
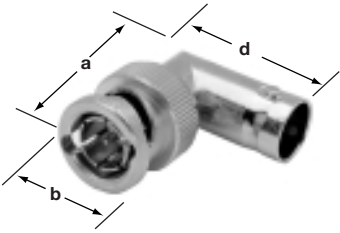
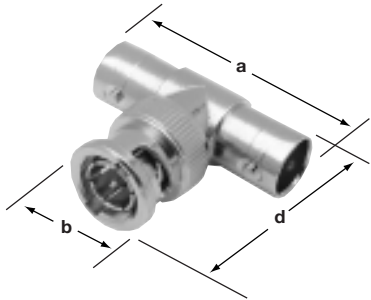
[Amphenol RF](#)
[031-70036](#)

For any questions, you can email us directly:

sales@integrated-circuit.com

BNC 75 ohm Adapters

Amphenol®

| | |
|---|--|
| <p>Fig. 1</p>  <p>75Ω BNC Adapter (J/J) 31-219-75 31-70019</p> | <p>Fig. 2</p>  <p>75Ω BNC Adapter (P/P) 31-218-75RFX</p> |
| <p>Fig.3</p>  <p>75Ω BNC Adapter (P/J) 31-9-75 31-9-75-RFX</p> | <p>Fig. 4</p>  <p>75Ω BNC Tee Adapter (J/P/J) 31-70036</p> |

BNC

75Ω BNC ADAPTERS

| Description | | Dimensions, inches (millimeters) | | | Notes | | Mtg. Hole | UG No. | 75Ω Type | Amphenol Number | Fig. |
|-------------|----------------|----------------------------------|------------|------------|-------|------|-----------|--------|----------|------------------------------|------|
| | | a | b | d | Plt. | Ins. | | | | | |
| Straight | Jack-Jack | 1.28(32.5) | .434(11.0) | — | P15 | D1 | — | — | T2 | 31-219-75 | 1 |
| Straight | Jack-Jack | 1.40(35.6) | .434(11.0) | — | P17 | D1 | — | — | T1 | 31-70019 | 1 ▲ |
| Straight | Plug-Plug | 1.33(33.7) | .571(14.5) | — | P15 | D1 | — | — | T2 | 31-218-75RFX | 2 |
| Angle | Jack-Plug | 1.02(25.9) | .562(14.3) | .405(10.3) | P15 | D9 | — | — | T2 | 31-9-75 | 3 ▲ |
| Tee | Jack-Plug-Jack | 1.28(32.5) | .562(14.3) | 1.04(26.3) | P15 | D1 | — | — | T1 | 31-70036 | 4 |

▲ distributor stocked