

## Excellent Integrated System Limited

Stocking Distributor

Click to view price, real time Inventory, Delivery & Lifecycle Information:

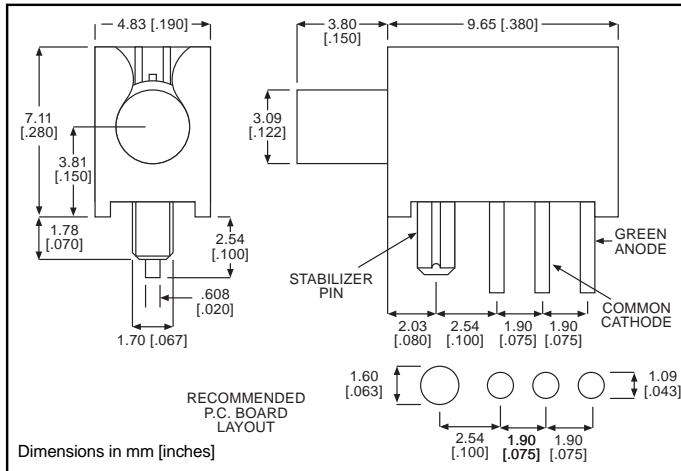
[Dialight](#)  
[5513508](#)

For any questions, you can email us directly:  
[sales@integrated-circuit.com](mailto:sales@integrated-circuit.com)

**3mm, Flat Top  
 LED CBI® Circuit Board Indicator  
 In-line, 3 Leaded Bi-Color**



**551-3508**



**PART NO.**  
551-3508

**COLOR**  
Red/Green

**4**

**Features**

- Common Cathode simplifies design, and provides amber as a third color
- Locating pin provides stability during soldering
- Multiple CBIs form horizontal LED arrays on 4.2mm (0.1650") center-lines
- High Contrast, UL 94 V-0 rated, black housing
- Oxygen index: 31.5%
- Polymer content: PBT, 1.055 g
- Housing stand-offs facilitate PCB cleaning
- Solderability per MIL-STD-202F, method 208F
- LEDs are safe for direct viewing per IEC 825-1, EN-60825-1

**Tolerance note: As noted, otherwise:**

- LED Protrusion: ±0.04 mm [±0.016]
- CBI Housing: ±0.02mm[±0.008]

**Typical Operating Characteristics (T<sub>A</sub>=25°C)**

*See LED data sheet for additional information*

*See page 4-70 and 4-71 for Reference Only LED Drive Circuit Examples. See page 4-72 for Pin Out*

Part Number	Color	Peak Wavelength nm	I <sub>v</sub> mcd	V <sub>F</sub> Volts	Test Current (mA)	LED Data sheet	Page #
551-3508	Red/Green	630/560	4/4	2/2.1	20	3TF-9484	4-69

**3mm LED  
 Bi-Color  
 Non-Tinted, Diffused**

**Dialight**

**3TD-9664, 3TD-986x, 3TF-9484**

**\* NOT A VALID PART  
 NUMBER. THIS SHEET IS FOR  
 REFERENCE ONLY.**

TYPE	COLOR
*3TD-9664	Red/Green
*3TD-9868	Red/Green
*3TD-9869	Yellow/Green
*3TF-9484	Red/Green

<b>ABSOLUTE MAXIMUM RATINGS</b> (T <sub>A</sub> =25°C)	Red/Green <b>-9664</b>	Red/Green <b>-9868</b>	Yellow/Green <b>-9869</b>	Red/Green <b>-9484</b>
Power Dissipation (mW)	75/75	100/100	60/100	75/75
Forward Current (mA) Derating (mW/°C) From 25°C *Derating (mA/°C) From 50°C	.85/.85	30/30 .4*/.4*	20/30 .25*/.4*	30/30 .33*/.67*
Peak Current (mA) Pulse width 10µs	100/100	30/30	80/120	100/100
Operating Temperature (°C)	-30/+85	-55/+100	-55/+100	-30/+85
Storage Temperature (°C)	-30/+100	-55/+100	-55/+100	-30/+100
Soldering Temperature	260°C, 6 seconds, 1.6 mm from case (9484 only)			
	260°C, 5 seconds, 1.6 mm from case (except 9484)			

Solder Adherence per MIL-STD-202E, Method 208C

<b>OPERATING CHARACTERISTICS</b> (T <sub>A</sub> =25°C)		Red/Green <b>-9664</b>	Red/Green <b>-9868</b>	Yellow/Green <b>-9869</b>	Red/Green <b>-9484</b>
Luminous Intensity (mcd) I <sub>F</sub> =20mA *I <sub>F</sub> =10mA	Min. Typical	4/6 8/12	2.5*/3.7* 4.7*/10*	2.5*/2.5* 4.3*/6.3*	2/2 4/4
Peak Wavelength (nm) λ Peak	Typical	630/560	635/565	585/565	630/560
Viewing Angle (2Θ½)	Typical	80°	60°/60°	80°/80°	
Forward Voltage (V) I <sub>F</sub> =20mA	Typical Max.	2/2.1 2.5/2.5	2/2.1 2.8/2.8	2.1/2.1 2.8/2.8	2/2.1 2.5/2.5
Reverse Voltage (V) I <sub>R</sub> =100µA	Min.	5	5	5	5

Θ½ is the off axis angle at which the luminous intensity is half the axial luminous intensity