

Excellent Integrated System Limited

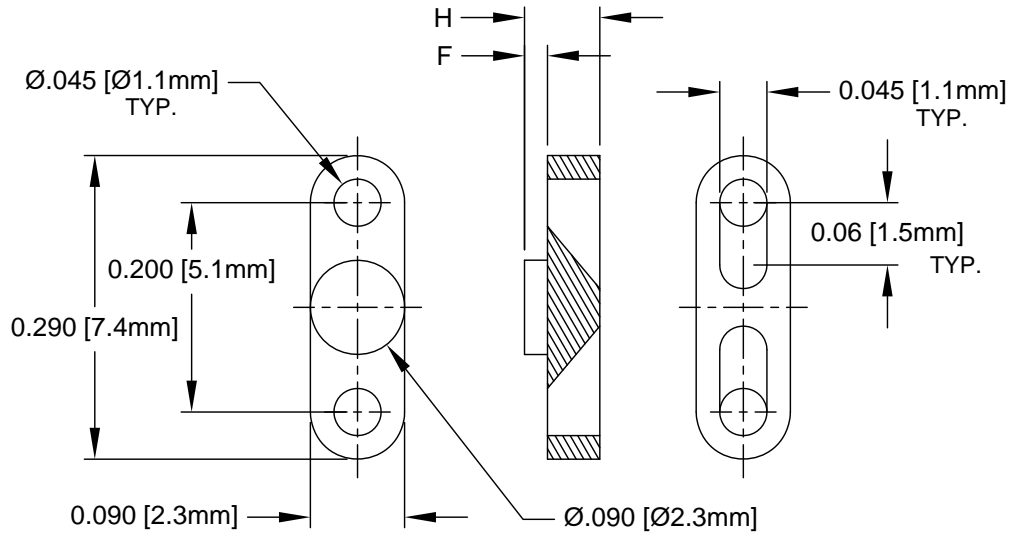
Stocking Distributor

Click to view price, real time Inventory, Delivery & Lifecycle Information:

[Bivar, Inc.](#)
[330-072](#)

For any questions, you can email us directly:
sales@integrated-circuit.com

| REV. | DESCRIPTION | DATE | APPROVED |
|------|--------------------------------|----------|----------|
| C | Engineering Update w/o Changes | 02/17/04 | M. C. |
| D | Removed Material Code | 05/23/16 | J. C. |
| | | | |
| | | | |



| PART NO. | A55485/06 M38527/06 | H | F |
|----------|------------------------|------------|------------|
| 330-050 | -047N | .050 (1.3) | .000 |
| 330-072 | -046N | .072 (1.8) | .022 (.56) |
| 330-085 | -048N | .085 (2.2) | .035 (.89) |

2. MATERIAL: NYLON 6/6, 94V-2, NATURAL.

1. GENERAL SPECIFICATIONS: BIVAR MOLDED COMPONENT SPECIFICATION BV00-E101.

| | | | | |
|--|---------|--|--|--|
| STANDARD TOLERANCE (UNLESS OTHERWISE SPECIFIED) | | 4 THOMAS, IRVINE, CA. 92618 TEL: (949) 951-8808 FAX: (949) 951-3974 | | |
| DECIMALS | ANGULAR | | | |
| .X ± .1 | X° ± 1° | TITLE: PERM-O-PAD DISCRETE COMPONENT & CAPACITOR MOUNT | | |
| .XX ± .01 | | | | |
| .XXX ± .005 | | DESIGNED: D. Green CHECKED: M. Chen | DATE: 01/16/03 DATE: 01/16/03 | REVISION: D PART NO: 330-XXX CAGE CODE : 32559 SHEET # 1 OF 1 |